

25GBASE-ER SFP28 1310nm 40km Industrial DOM Transceiver

SFP-25G-ER40-I-LL



Application

- 25GBASE ER
- CPRI Option 10 / eCPRI

Features

- Compliant to SFP28 MSA
- Fully RoHS Compliant
- All Metal Housing for Superior EMI Performance
- Operating Data
25.78Gbps±100 ppm
- Cooled DML DFB Laser
- APD Receiver
- LC Duplex Connector
- Hot Pluggable 20pin Connector
- Low Power Consumption <2.2W
- -40°C to 85°C Operating Wide Temperature Range
- Single +3.3V Power Supply
- Digital Monitoring SFF-8472 Rev 10.2 Compliant
- Real Time Monitoring of Transmitted Optical Power Received Optical Power ; Laser Bias Current Temperature ; Supply Voltage

Description

The SFP28 Transceiver is designed for use in Ethernet/eCPRI/ CPRI links up to 25.78 Gb/s data rate and up to 40km link length. They are compliant with SFF8472,SFF-8431,SFF-8432. Digital diagnostics functions are available via a 2-wire serial interface, as specified in SFF-8472.

Product Specifications

I. Absolute Maximum Ratings

Parameter	Symbol	Min.	Max.	Unit
Storage Temperature Range	T_S	-40	85	°C
Relative Humidity	RH	0	95	%

II. Optical Characteristics ($T_{OP} = 0$ to 70 °C, $V_{CC} = 3.00$ to 3.60 Volts)

Parameter	Symbol	Min.	Typical	Max.	Unit	Note
Transmitter						
Center Wavelength	λ	1295		1310	nm	
Side Mode Suppression Ratio	SMSR	30			dB	
Optical Output Power	P_{av}	-1		5	dBm	
Extinction Ratio	ER	4			dB	
Transmitter and Dispersion Penalty	TDP			2.7	dB	
Average Launch Power of OFF Transmitter	P_{OFF}			-30	dBm	
Relative Intensity Noise	RIN_{20OMA}			-130	dB/Hz	

Parameter	Symbol	Min.	Typical	Max.	Unit	Note
Receiver						
Center Wavelength	λ	1295		1325	nm	
Receiver Sensitivity	R _{sen}			-19	dBm	1
Maximum Input Power		-4			dBm	
Optical Return Loss		27			dB	
Assert LOS	LOS _A	-35			dBm	
De-Assert LOS	LOS _D			-19	dBm	
LOS Hysteresis		0.5		6	dB	

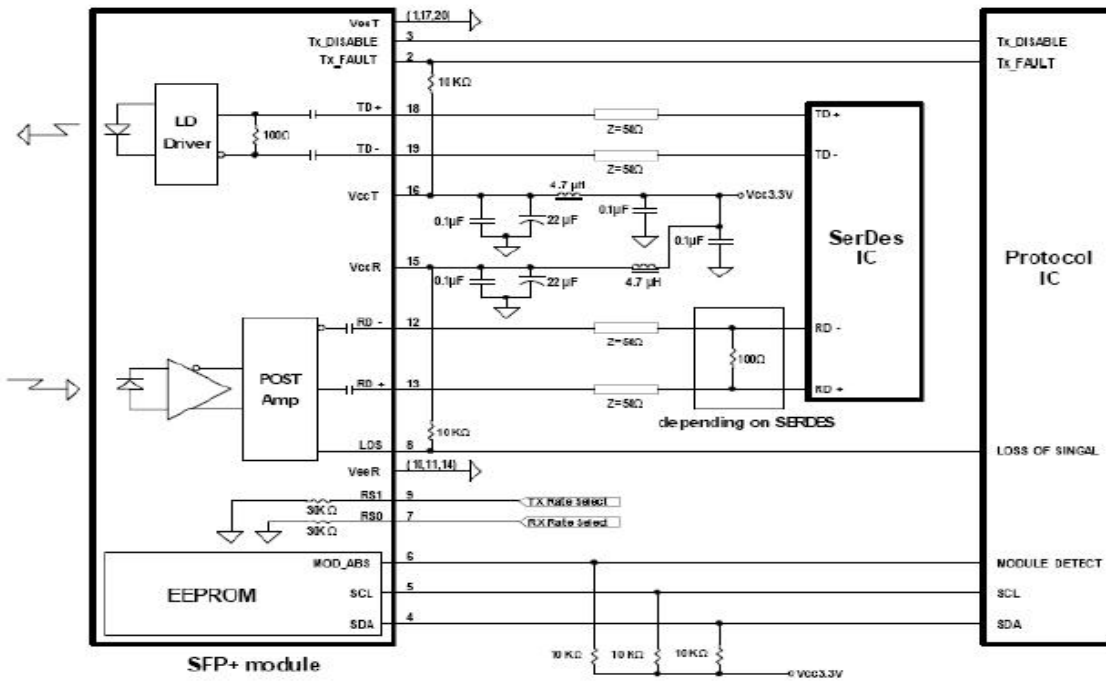
III. Qualification Reliability

Feature	Test Method	Performance
Electrostatic Discharge (ESD) to The Electrical Pins	MIL-STD-883C Method 3015.4	Class1 (>1KV) for high speed I/O pins Class 1 (>2KV) for all other pins
Electrostatic Discharge (ESD) to The Duplex LC Receptacle	Variation of IEC 61000-4-2	The SFP28 modules meet ESD requirements given in EN61000-4-2, criterion B test specification such that units are subjected to 15kV air discharges during operation and 8kV direct contact discharges to the case.
Electromagnetic Interference (EMI)	CISPR22 ITE Class BEN55022 Class B	Compliant with standards
EMC		FCC Class B/CE Class B
Immunity	IEC61000-4-3 Class 2 EN55024	Typically show no measurable effect from a 3V/m field swept from 80 to 1000MHz applied to the transceiver without a chassis enclosure.

IV. Environmental Safety

Feature	Test Method	Performance
RoHS Compliance		Less than 1000 ppm of cadmium, lead, mercury, hexavalent chromium, polybrominated biphenyls, and polybrominated biphenyl ethers.

V. Typical Application Circuit



VI. Mechanical Dimensions

