

# QSFP28 100GBASE-ER4 1310nm 40km Transceiver

QSFP28-100GE-ER4-LL



## Application

- 100GBASE-ER4 Ethernet Links
- Infiniband QDR and DDR Interconnects
- Client-side 100G Telecom connections

## Features

- Hot pluggable QSFP28 MSA form factor
- Supports 103.1Gb/s aggregate bit rate
- Compliant to Ethernet 100GBASE-ER4 Lite
- RoHS-6 compliant
- Commercial operating case temperature range: 0° C to 70° C
- Single 3.3V power supply
- Up to 30km reach for G.652 SMF without FEC
- Up to 40km reach for G.652 SMF with FEC
- Transmitter: cooled 4x25Gb/s LAN WDM EML TOSA (1295.56, 1300.05, 1304.58, 1309.14nm)
- Receiver: 4x25Gb/s APD ROSA
- 4x25G electrical interface (OIF CEI-28G-VSR)

## Description

### I. General Description

This product is a 100Gb/s transceiver module designed for optical communication applications compliant to Ethernet 100GBASE-ER4 Lite standard. The module converts 4 input channels of 25Gb/s electrical data to 4 channels of LAN WDM optical signals and then multiplexes them into a single channel for 100Gb/s optical transmission. Reversely on the receiver side, the module de-multiplexes a 100Gb/s optical input into 4 channels of LAN WDM optical signals and then converts them to 4 output channels of electrical data.

The central wavelengths of the 4 LAN WDM channels are 1295.56, 1300.05, 1304.58 and 1309.14 nm as members of the LAN WDM wavelength grid defined in IEEE 802.3ba. The high performance cooled LAN WDM EA-DFB transmitters and high sensitivity APD receivers provide superior performance for 100Gigabit Ethernet applications up to 30km links without FEC and 40km links with FEC.

The product is designed with form factor, optical/electrical connection and digital diagnostic interface according to the QSFP+ Multi-Source Agreement (MSA). It has been designed to meet the harshest external operating conditions including temperature, humidity and EMI interference.

### II. Functional Description

The transceiver module receives 4 channels of 25Gb/s electrical data, which are processed by a 4-channel Clock and Data Recovery (CDR) IC that reshapes and reduces the jitter of each electrical signal. Subsequently, EML laser driver IC converts each one of the 4 channels of electrical signals to an optical signal that is transmitted from one of the 4 cooled EML lasers which are packaged in the Transmitter Optical Sub-Assembly (TOSA). Each laser launches the optical signal in specific wavelength specified in IEEE 802.3ba 100GBASE-ER4 requirements. These 4-lane optical signals will be optically multiplexed into a single fiber by a 4-to-1 optical WDM MUX. The optical output power of each channel is maintained constant by an automatic power control (APC) circuit. The transmitter output can be turned off by TX\_DIS hardware signal and/or 2-wire serial interface.

The receiver receives 4-lane LAN WDM optical signals. The optical signals are de-multiplexed by a 1-to-4 optical DEMUX and each of the resulting 4 channels of optical signals is fed into one of the 4 receivers that are packaged into the Receiver Optical Sub-Assembly (ROSA). Each receiver converts the optical signal to an electrical signal. The regenerated electrical signals are retimed and de-jittered and amplified by the RX portion of the 4-channel CDR. The retimed 4-lane output electrical signals are compliant with CEI-28G-VSR interface requirements. In addition, each received optical signal is monitored by the DOM section. The monitored value is reported through the 2-wire serial interface. If one or more received optical signal is weaker than the threshold level, RX\_LOS hardware alarm will be triggered.

A single +3.3V power supply is required to power up this product. Both power supply pins VccTx and VccRx are internally connected and should be applied concurrently. As per MSA specifications the module offers 7 low speed hardware control pins (including the 2-wire serial interface): ModSelL, SCL, SDA, ResetL, LPMode, ModPrsL and IntL.

Module Select (ModSelL) is an input pin. When held low by the host, this product responds to 2-wire serial communication commands. The ModSelL allows the use of this product on a single 2-wire interface bus – individual ModSelL lines must be used.

Serial Clock (SCL) and Serial Data (SDA) are required for the 2-wire serial bus communication interface and enable the host to access the QSFP28 memory map.

The ResetL pin enables a complete reset, returning the settings to their default state, when a low level on the ResetL pin is held for longer than the minimum pulse length. During the execution of a reset the host shall disregard all status bits until it indicates a completion of the reset interrupt. The product indicates this by posting an IntL (Interrupt) signal with the Data\_Not\_Ready bit negated in the memory map. Note that on power up (including hot insertion) the module should post this completion of reset interrupt without requiring a reset.

Low Power Mode (LPMode) pin is used to set the maximum power consumption for the product in order to protect hosts that are not capable of cooling higher power modules, should such modules be accidentally inserted.

Module Present (ModPrsL) is a signal local to the host board which, in the absence of a product, is normally pulled up to the host Vcc. When the product is inserted into the connector, it completes the path to ground through a resistor on the host board and asserts the signal. ModPrsL then indicates its present by setting ModPrsL to a “Low” state.

## Product Specifications

### I.General Specifications

Parameter	Symbol	Min	Typ.	Max	Unit	Ref.
<b>Data Rate, all Lanes combined</b>	BR			103.1	Gb/s	
<b>Data Rate, each Lane</b>			25.78125		Gb/s	
<b>Data Rate Accuracy</b>		-100		100	ppm	
<b>Link Distance with G.652 (without FEC)</b>	D1			30	km	1
<b>Link Distance with G.652 (with FEC)</b>	D2			40	km	1

#### Notes:

1. Depending on actual fiber loss/km (link distance specified is for fiber insertion loss of 0.4dB/km)

### II. Absolute Maximum Ratings

Parameter	Symbol	Min	Typ.	Max	Unit	Ref.
<b>Storage Temperature</b>	Ts	-40		85	degC	
<b>Operating Case Temperature</b>	Top	0		70	degC	
<b>Power Supply Voltage</b>	Vcc	3.135	3.3	3.465	V	
<b>Control Input Voltage High</b>		2		Vcc	V	

Parameter	Symbol	Min	Typ.	Max	Unit	Ref.
<b>Control Input Voltage Low</b>		0		0.8	V	
<b>Relative Humidity (non-condensation)</b>	RH	0		85	%	
<b>Damage Threshold, each Lane</b>	THd	-3.0			dBm	

### III. Electrical Characteristics (EOL, TOP = 0 to 70°C, VCC = 3.135 to 3.465 Volts)

Parameter	Symbol	Min	Typ.	Max	Unit	Ref.
<b>Power Consumption</b>				4.5	W	
<b>Supply Current</b>	Icc			1.36	A	

#### Transmitter (each Lane)

<b>Overload Differential Voltage pk-pk</b>	TP1a	900			mV	
<b>Common Mode Voltage (Vcm)</b>	TP1	-350		2850	mV	1
<b>Differential Termination Resistance Mismatch</b>	TP1			10	%	At 1MHz
<b>Differential Return Loss (SDD11)</b>	TP1			See CEI- 28G-VSR Equation 13-19	dB	
<b>Common Mode to Differential conversion and Differential to Common Mode conversion (SDC11, SCD11)</b>	TP1			See CEI- 28G-VSR Equation 13-20	dB	
<b>Stressed Input Test</b>	TP1a	See CEI- 28G-VSR Section 13.3.11.2.1				

#### Receiver(each Lane)

<b>Differential Voltage, pk-pk</b>	TP4			900	mV	
<b>Common Mode Voltage (Vcm)</b>	TP4	-350		2850	mV	
<b>Common Mode Noise, RMS</b>	TP4			17.5	mV	
<b>Differential Termination Resistance Mismatch</b>	TP4			10	%	At 1MHz
<b>Differential Return Loss (SDD22)</b>	TP4			See CEI- 28G-VSR Equation 13-19	dB	

Parameter	Symbol	Min	Typ.	Max	Unit	Ref.
<b>Common Mode to Differential conversion and Differential to Common Mode conversion (SDC22, SCD22)</b>	TP4			See CEI- 28G-VSREquation 13-21	dB	
<b>Common Mode Return Loss (SCC22)</b>	TP4			-2	dB	1
<b>Transition Time, 20 to 80%</b>	TP4	9.5			ps	
<b>Vertical Eye Closure (VEC)</b>	TP4			5.5	dB	
<b>Eye Width at 10-15 probability (EW15)</b>	TP4	0.57			UI	

**Notes:**

- 1.V<sub>cm</sub> is generated by the host. Specification includes effects of ground offset voltage.
- 2.From 250MHz to 30GHz.

**IV. Optical Characteristics (EOL, TOP = 0 to 70°C, VCC = 3.135 to 3.465 Volts)**

Parameter	Symbol	Min	Typ.	Max	Unit	Notes
<b>Lane Wavelength</b>	L0	1294.53	1295.56	1296.59	nm	
	L1	1299.02	1300.05	1301.09	nm	
	L2	1303.54	1304.58	1305.63	nm	
	L3	1308.09	1309.14	1310.19	nm	

**Transmitter**

<b>SMSR</b>	SMSR	30			dB	
<b>Total Average Launch Power</b>	PT			10.5	dBm	
<b>Average Launch Power, each Lane</b>	PAVG	-2.9		4.5	dBm	

Parameter	Symbol	Min	Typ.	Max	Unit	Notes
<b>OMA, each Lane</b>	POMA	0.1		4.5	dBm	1
<b>Difference in Launch Power between any Two Lanes (OMA)</b>	Ptx,diff			3.6	dB	2
<b>Launch Power in OMA minus Transmitter and Dispersion Penalty (TDP), each Lane</b>		-0.65			dBm	
<b>TDP, each Lane</b>	TDP			2.5	dB	
<b>Extinction Ratio</b>	ER	7			dB	
<b>RIN20OMA</b>	RIN			-130	dB/Hz	
<b>Optical Return Loss Tolerance</b>	TOL			20	dB	
<b>Transmitter Reflectance</b>	RT			-12	dB	
<b>Average Launch Power OFF Transmitter, each Lane</b>	Poff	0		-30	dBm	
<b>Eye Mask{X1, X2, X3, Y1, Y2, Y3}</b>		{0.25, 0.4, 0.45, 0.25, 0.28, 0.4}				

**Receiver**

<b>Damage Threshold, each Lane</b>	THd	-3.0			dBm	3
<b>Average Receive Power, each Lane</b>		-16.9		-4.9	dBm	for 30km Link Distance
<b>Average Receive Power, each Lane</b>		-20.9		-4.9	dBm	for 40km Link Distance
<b>Receive Power (OMA), each Lane</b>				-1.9	dBm	

Parameter	Symbol	Min	Typ.	Max	Unit	Notes
<b>Receiver Sensitivity (OMA), eachLane</b>	SEN1			-14.65	dBm	for BER= 1x10-12
<b>Stressed Receiver Sensitivity (OMA), each Lane</b>				-12.65	dBm	for BER= 1x10-12
<b>Receiver Sensitivity (OMA), each Lane</b>	SEN2			-18.65	dBm	for BER= 5x10-5
<b>Stressed Receiver Sensitivity (OMA), each Lane</b>				-16.65	dBm	for BER= 5x10-5
<b>Receiver reflectance</b>				-26	dB	
<b>Difference in Receive Power between any Two Lanes (Average and OMA)</b>	Prx,diff			3.6	dB	
<b>LOS Deassert</b>	LOSA		-26		dBm	
<b>LOS Deassert</b>	LOSD		-24		dBm	
<b>LOS Hysteresis</b>	LOSH	0.5			dB	
<b>Receiver Electrical 3 dB upper Cutoff Frequency, each Lane</b>	Fc			31	GHz	
<b>LOS Hysteresis</b>	LOSH	0.5			dB	

**Conditions of Stress Receiver Sensitivity Test (Note 4)**

<b>Vertical Eye Closure Penalty, each Lane</b>			1.5		dB	
<b>Stressed Eye J2 Jitter, each Lane</b>			0.3		UI	
<b>Stressed Eye J9 Jitter, each Lane</b>			0.47		UI	

**Notes:**

- 1.The minimum average launch power spec is based on ER not exceeding 9.5dB and transmitter OMA higher than 0.1dBm.
- 2.Even if the TDP < 0.75 dB, the OMA min must exceed the minimum value specified here.
- 3.The receiver shall be able to tolerate, without damage, continuous exposure to a modulated optical input signal having this power level on one lane. The receiver does not have to operate correctly at this input power.
- 4.Vertical eye closure penalty, stressed eye J2 jitter, and stressed eye J9 jitter are test conditions for measuring stressed receiver sensitivity. They are not characteristics of the receiver.

**V. Recommended Power Supply Filter**

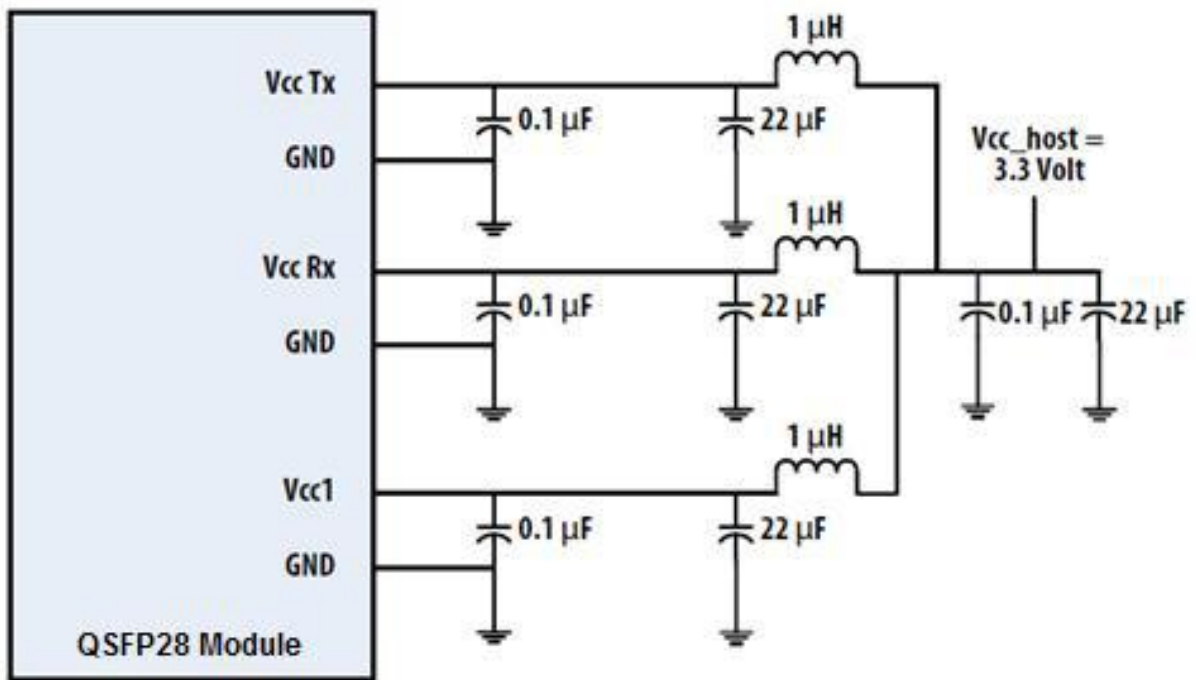


Figure 1. Recommended Power Supply Filter



## VI. Transceiver Block Diagram

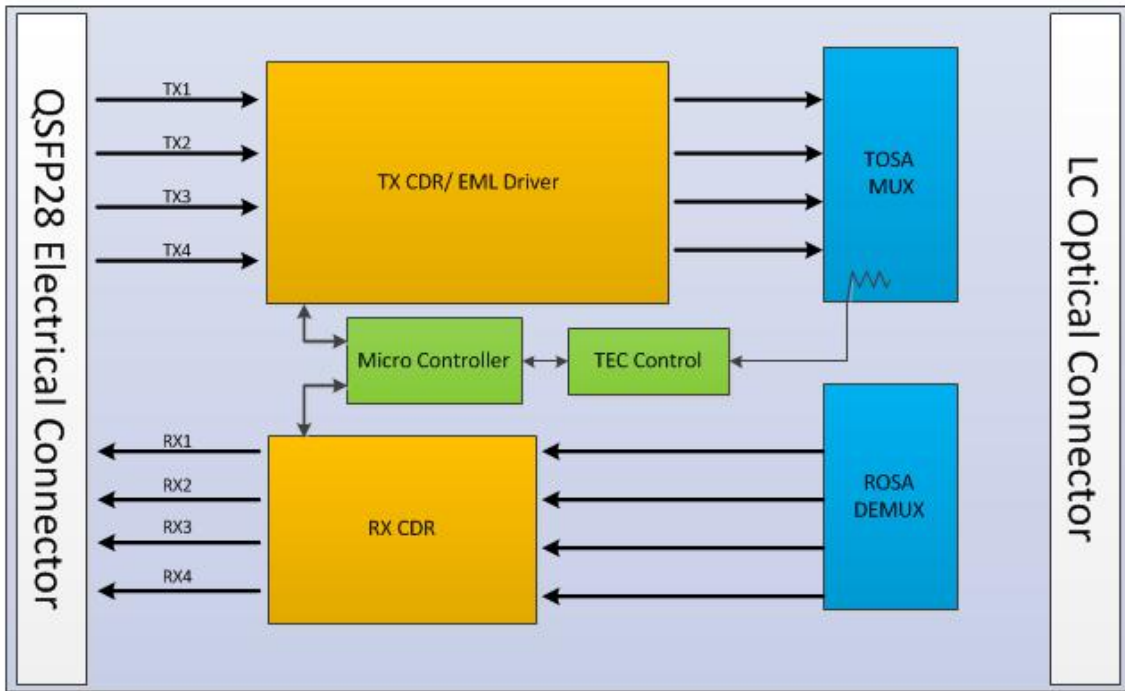


Figure 2. Transceiver Block Diagram

## VII. Pin Description

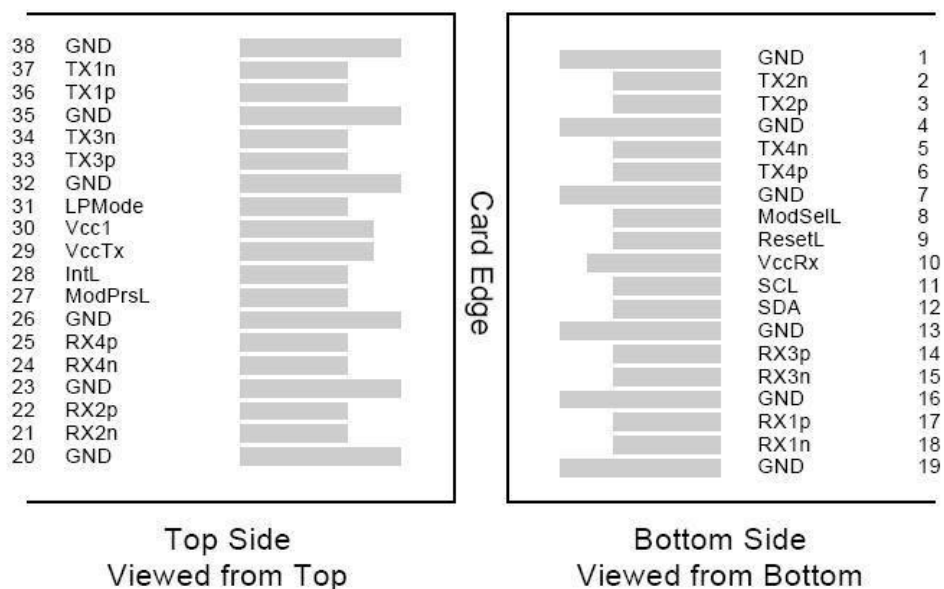


Figure 3. MSA compliant Connector

Pin	Logic	Symbol	Name/Description	Ref.
1		GND	Ground	1
2	CML-I	Tx2n	Transmitter Inverted Data Input	
3	CML-I	Tx2p	Transmitter Non-Inverted Data output	
4		GND	Ground	1
5	CML-I	Tx4n	Transmitter Inverted Data Input	
6	CML-I	Tx4p	Transmitter Non-Inverted Data output	
7		GND	Ground	1
8	LVTLL-I	ModSelL	Module Select	
9	LVTLL-I	ResetL	Module Reset	
10		VccRx	+3.3V Power Supply Receiver	2
11	LVCOS-I/O	SCL	2-Wire Serial Interface Clock	

Pin	Logic	Symbol	Name/Description	Ref.
12	LVC MOS-I/O	SDA	2-Wire Serial Interface Data	
13		GND	Ground	
14	CML-O	Rx3p	Receiver Non-Inverted Data Output	
15	CML-O	Rx3n	Receiver Inverted Data Output	
16		GND	Ground	1
17	CML-O	Rx1p	Receiver Non-Inverted Data Output	
18	CML-O	Rx1n	Receiver Inverted Data Output	
19		GND	Ground	1
20		GND	Ground	1
21	GND	Ground	1	
22	CML-O	Rx2p	Receiver Non-Inverted Data Output	
23		GND	Ground	1
24	CML-O	Rx4n	Receiver Inverted Data Output	1
25	CML-O	Rx4p	Receiver Non-Inverted Data Output	
26		GND	Ground	1
27	LV TTL-O	ModPrsL	Module Present	
28	LV TTL-O	IntL	Interrupt	
29		VccTx	+3.3 V Power Supply transmitter	2
30		Vcc1	+3.3 V Power Supply	2
31	LV TTL-I	LPMoDe	Low Power Mode	

**Notes:**

1. GND is the symbol for signal and supply (power) common for the QSFP28 module. All are common within the module and all module voltages are referenced to this potential unless otherwise noted. Connect these directly to the host board signal common ground plane.
2. VccRx, Vcc1 and VccTx are the receiving and transmission power suppliers and shall be applied concurrently. Recommended host board power supply filtering is shown in Figure 3 below. Vcc Rx, Vcc1 and Vcc Tx may be internally connected within the module in any combination. The connector pins are each rated for a maximum current of 1000mA.

**VIII. Digital Diagnostic Functions**

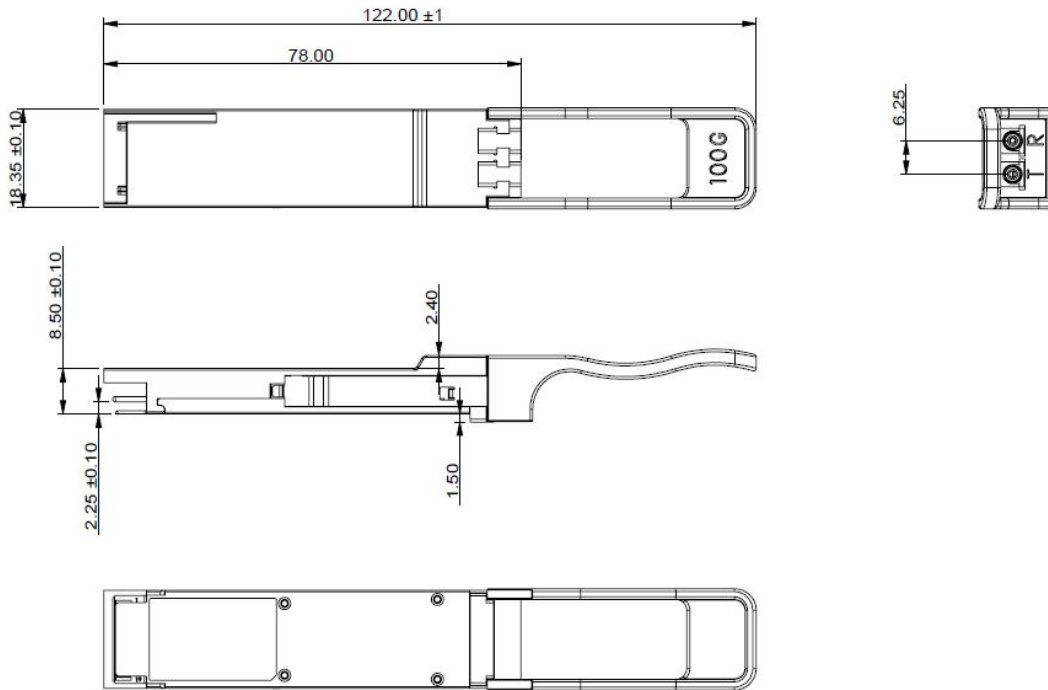
Parameter	Symbol	Min	Max	Unit	Ref.
<b>Temperature monitor absolute error</b>	DMI_Temp	-3	+3	degC	Over operating temperature range
<b>Supply voltage monitor absolute error</b>	DMI_VCC	-0.1	0.1	V	Over full operating range
<b>Channel RX power monitor absolute error</b>	DMI_RX_Ch	-2	2	dB	1
<b>Channel Bias current monitor</b>	DMI_Ibias_Ch	-10%	10%	mA	
<b>Channel TX power monitor absolute error</b>	DMI_TX_Ch	-2	2	dB	1

**Notes:**

1. Due to measurement accuracy of different single mode fibers, there could be an additional +/-1 dB fluctuation, or a +/- 3 dB total accuracy.

## IX. Mechanical Specifications

The mechanical specifications are compliant to the QSFP28 MSA transceiver module specifications.



## X. ESD

This transceiver is specified as ESD threshold 1kV for SFI pins and 2kV for all other electrical input pins, tested per MIL-STD-883, Method 3015.4 / JESD22-A114-A (HBM). However, normal ESD precautions are still required during the handling of this module. This transceiver is shipped in ESD protective packaging. It should be removed from the packaging and handled only in an ESD protected environment.

## XI. Laser Safety

This is a Class 1 Laser Product according to EN 60825-1:2014. This product complies with 21 CFR 1040.10 and 1040.11 except for deviations pursuant to Laser Notice No. 50, dated (June 24, 2007).

Caution: Use of controls or adjustments or performance of procedures other than those specified herein may result in hazardous radiation exposure.