

40GBASE Bi-Directional QSFP+ 850nm 300m LC DOM Transceiver for MMF

QSFP-40G-SRBD-LL



Application

- 40G Ethernet over Duplex MMF
- Allows Upgrades from 10GBASE-SR without Changing Fiber Plant

Features

- Hot-pluggable QSFP+ Form Factor
- 300m Operation over Duplex OM3 MMF, and 400m over Duplex OM4 MMF
- Supports 41.2 Gb/s Aggregate Bit Rates
- Power Dissipation < 3.5W
- Commercial Case Temperature Range 0°C to 70°C
- Duplex LC Receptacles
- XLPI Electrical Interface
- Built-in Digital Diagnostic Functions, including Tx/Rx Power Monitoring
- RoHS-6 Compliant

Description

The QSFP-BIDI-40G transceiver modules are designed for use in 40 Gigabit Ethernet links over duplex multimode fiber. They are compliant with the QSFP+ MSA and IEEE 802.3ba XLPI electrical interface. Digital diagnostics functions are available via an I2C interface, as specified by the QSFP+ MSA. The optical transceiver is compliant per the RoHS Directive 2011/65/EU.

Product Specifications

I. General Product Characteristics

Parameter	Value	Unit	Notes
Module Form Factor	QSFP+		
Maximum Aggregate Data Rate	41.2	Gb/s	
Protocols Supported	40G Ethernet		
Electrical Interface and Pin-out	38-pin edge connector		Pin-out as defined by the QSFP+ MSA
Maximum Power Consumption	3.5	Watts	1
Management Interface	Serial, I2C-based, 400 kHz maximum frequency		As defined by the QSFP+ MSA

Notes:

1. Will be <3.5W in link established mode. If the input optical signal is without data, the CDR will keep searching and push the power consumption over the maximum spec.

Data Rate Specifications	Symbol	Min	Typ	Max	Units	Ref.
Bit Error Ratio	BER	0		10 ⁻¹²		1
Link Distance on OM3	d	0		300	Meters	
Link Distance on OM4	d			400	Meters	

Notes:

1. Tested with a PRBS 231-1 test pattern.

II. Absolute Maximum Ratings

Parameter	Symbol	Min	Typ	Max	Unit	Ref.
Maximum Supply Voltage	V _{cc1} , V _{ccTx} , V _{ccRx}	-0.5		3.6	V	
Storage Temperature	T _s	-40		85	°C	
Case Operating Temperature	T _{op}	0		70	°C	
Relative Humidity	RH	0		85	%	1
Damage Threshold, per Lane	DT	4			dBm	

Notes:

1. Non-condensing.

III. Electrical Characteristics ($T_{OP} = 0$ to 70 °C, $V_{CC} = 3.1$ to 3.47 Volts)

Parameter	Unit	Min	Type	Max	Unit	Ref.
Supply Voltage	V_{CCTx} ,	V_{CC1} , 3.1 V_{CCRx}		3.47	V	
Supply Current		I_{CC}		0.9	A	1
Link Turn-on Time						
Transmit Turn-on Time				2000	ms	2
Transmitter (per Lane)						
Single-ended Input Voltage Tolerance	V_{inT}	-0.3		4.0	V	
Differential Data Input Swing	$V_{in,pp}$	120		1200	mVpp	3
Differential Input Threshold			50		mV	
AC Common Mode Input Voltage Tolerance (RMS)		15			mV	
Differential Input Return Loss			Per IEEE802.3ba, Section 86A.4.1.1		dB	4
J2 Jitter Tolerance	J_{t2}	0.17			UI	
J9 Jitter Tolerance	J_{t9}	0.29			UI	
Data Dependent Pulse Width Shrinkage	DDPWS	0.07			UI	
Eye Mask Coordinates {X1, X2 Y1, Y2}			0.11, 0.31 95, 350		UI mV	5

Parameter	Unit	Min	Type	Max	Unit	Ref.
Receiver (per Lane)						
Single-ended Output Voltage		-0.3		4.0	V	
Differential Data Output Swing	Vout,pp	200		400	mVpp	6, 7
		300		600		
		400		800		
		600		1200		
AC Common Mode Output Voltage (RMS)				7.5	mV	
Termination Mismatch at 1 MHz				5	%	
Differential Output Return Loss				Per IEEE P802.3ba, Section 86A.4.2.1		4
Common Mode Output Return Loss				Per IEEE P802.3ba, Section 86A.4.2.2		4
Output Transition Time, 20% to 80%		28			ps	
J2 Jitter Output	Jo2			0.42	UI	
J9 Jitter Output	Jo9			0.65	UI	
Eye Mask Coordinates #1 {X1, X2 Y1, Y2}				0.29, 0.5 150, 425	UI mV	5
Power Supply Ripple Tolerance	PSR	50			mVpp	

Notes:

1. Will be <3.5W in link established mode. If the input optical signal is without data, the CDR will keep searching and push the supply current over the maximum spec.
2. From power-on and end of any fault conditions.
3. After internal AC coupling. Self-biasing 100 differential input.
4. 10 MHz to 11.1 GHz range.
5. Hit ratio = 5×10^{-5} .
6. AC coupled with 100 differential output impedance.
7. Output voltage is settable in 4 discrete steps via I2C.

IV. Optical Characteristics ($T_{OP} = 0$ to 70 °C, $V_{CC} = 3.1$ to 3.47 Volts)

Per-channel optical characteristics vary over the 4 wavelengths. Below are the worst-case

Parameter	Symbol	Min	Typ	Max	Unit	Ref.
Transmitter						
Lane Center Wavelengths			850			
			880			
			910			nm
			940			
Spectral Width @ 850nm	SBW			0.53		
Spectral Width @ 880nm, 910nm, 940nm	SBW			0.59	nm	
Total Average Launch Power	P_{OUT}	-1.5		9.0	dBm	2
Average Launch Power per Lane	TXPx	-7.5		3.0	dBm	1,2
Transmit OMA per Lane	TxOMA	-5.5		3	dBm	1
Difference in Launch Power between Any 2 Lanes (OMA)	TxOMA DIFF			4.5	dB	
Launch Power Tx OMA - TDP		-6.6			dBm	
Transmitter and Dispersion Eye Closure @ 850nm	TDEC			3.7	dB	
Transmitter and Dispersion Eye Closure @ 880nm	TDEC			4.0	dB	
Transmitter and Dispersion Eye Closure @ 910nm	TDEC			4.5	dB	
Transmitter and Dispersion Eye Closure @ 940nm	TDEC			5.0	dB	
Optical Extinction Ratio	ER	2.0			dB	
Average Launch Power of OFF Transmitter, Per Lane				-30	dBm	

Parameter	Symbol	Min	Typ	Max	Unit	Ref.
Relative Intensity Noise	RIN			-128	dB/Hz	3
Optical Return Loss Tolerance		12			dB	
Transmitter Eye Mask Definition {X1, X2 X3, Y1, Y2, Y3}			0.23, 0.34, 0.43, 0.27, 0.35, 0.4			
Receiver						
Lane Center Wavelengths			850 880 910 940		nm	
Average Receive Power per Lane	RXPx	-9.0		3.0	dBm	1,4
Receive Power (OMA) per Lane	RxOMA			3	dBm	1
Receiver Sensitivity (OMA) per Lane	Rxsens			-9.1	dBm	1,5
Stressed Receiver Sensitivity (OMA) Per Lane @ 850nm	SRS			-5.7	dBm	1
Stressed Receiver Sensitivity (OMA) per Lane @ 880nm, 910nm, 940nm	SRS			-4.4	dBm	1
Return Loss	RL			12	dB	
LOS De-Assert	LOS _d			-13	dBm	
LOS Assert	LOS _A	-30			dBm	
LOS Hysteresis		0.5			dB	

Notes:

1. This value varies among the 4 channels. The value shown is for the worst-case channel.
2. Minimum value is informative.
3. Maximum value is informative. TDP guarantees Tx performance
4. Minimum value is informative, equals min TxOMA with infinite ER and max channel insertion loss.
5. Maximum value is informative based on a theoretical perfect unstressed optical source

V. Memory Map and Control Registers

Compatible with SFF-8636 (QSFP+).

VI. Environmental Specifications

The QSFP-BIDI-40G transceivers have an operating temperature range from 0°C to +70°C case temperature.

Parameter	Unit	Min	Type	Max	Unit	Ref.
Case Operating Temperature	Top	0		70	°C	
Storage Temperature	Tsto	-40		85	°C	0

VII. Regulatory Compliance

The QSFP-BIDI-40G transceivers are RoHS-6 compliant. Copies of certificates are available at Longline.COM upon request.

The QSFP- BIDI-40G transceiver modules are Class 1 laser eye safety compliant per IEC 60825-1.

VIII. Mechanical Specifications

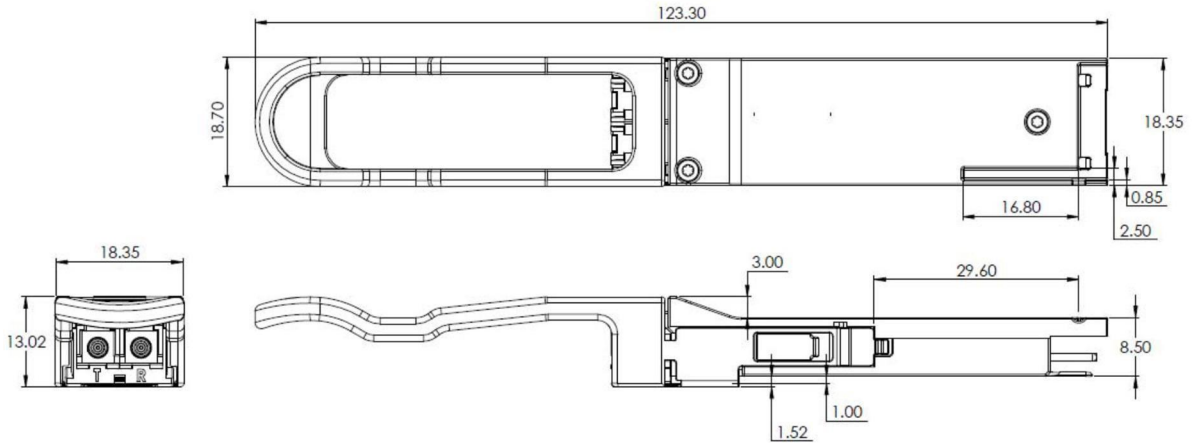


Figure1. QSFP-BIDI-40G mechanical drawing

The QSFP-BIDI-40G mechanical specifications are compliant to the QSFP+ MSA transceiver module specifications..

IX. Pin Description

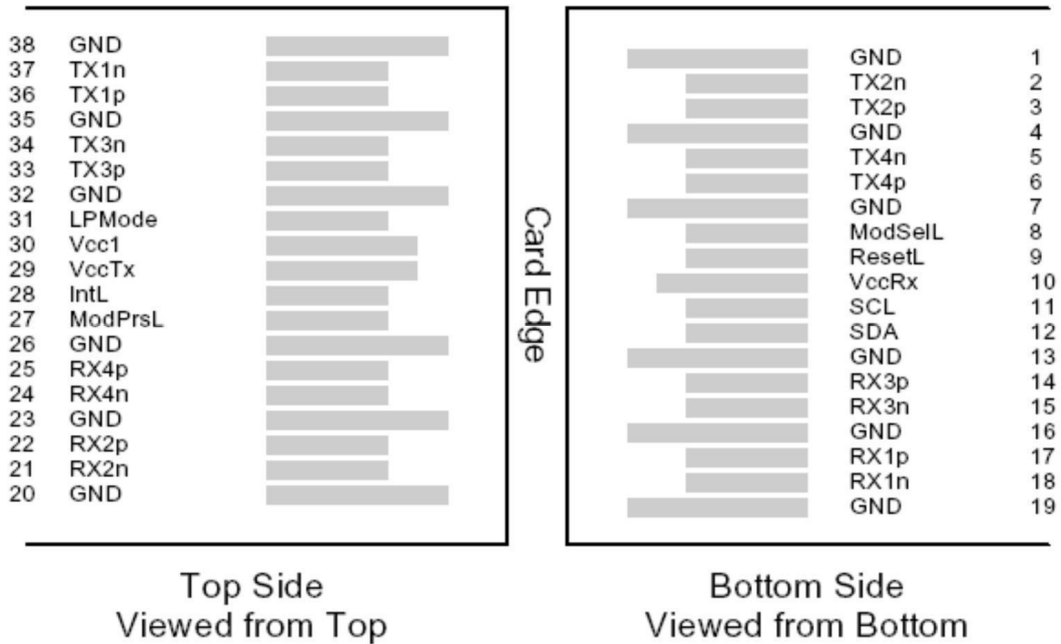


Figure2. QSFP+ MSA-compliant 38-pin connector

Pin	6BSymbol	Name/Description	Notes
1	GND	Ground	1
2	Tx2n	Transmitter Inverted Data Input	
3	Tx2p	Transmitter Non-Inverted Data Input	
4	GND	Ground	1
5	Tx4n	Transmitter Inverted Data Input	
6	Tx4p	Transmitter Non-Inverted Data Input	
7	GND	Ground	1
8	ModSelL	Module Select	
9	ResetL	Module Reset	
10	Vcc Rx	+3.3 V Power supply receiver	
11	SCL	2-wire serial interface clock	
12	SDA	2-wire serial interface data	
13	GND	Ground	1
14	Rx3p	Receiver Non-Inverted Data Output	
15	Rx3n	Receiver Inverted Data Output	
16	GND	Ground	1
17	Rx1p	Receiver Non-Inverted Data Output	
18	Rx1n	Receiver Inverted Data Output	
19	GND	Ground	1
20	GND	Ground	1
21	Rx2n	Receiver Inverted Data Output	
22	Rx2p	Receiver Non-Inverted Data Output	
23	GND	Ground	1
24	Rx4n	Receiver Inverted Data Output	
25	Rx4p	Receiver Non-Inverted Data Output	

Pin	6BSymbol	Name/Description	Notes
26	GND	Ground	1
27	ModPrsL	Module Present	
28	IntL	Interrupt	
29	Vcc Tx	+3.3 V Power supply transmitter	
30	Vcc1	+3.3 V Power Supply	
31	LPMODE	Low Power Mode	
32	GND	Ground	1
33	Tx3p	Transmitter Non-Inverted Data Input	
34	Tx3n	Transmitter Inverted Data Input	
35	GND	Ground	1
36	Tx1p	Transmitter Non-Inverted Data Input	
37	Tx1n	Transmitter Inverted Data Input	
38	GND	Ground	1

Notes:

1. Circuit ground is internally isolated from chassis ground.

References:

1. SFF-8436 – Specification for QSFP+ Copper and Optical Transceiver, Rev 4.8, October 2013.
2. SFF-8636 – Common Management Interface, Rev 2.7, January, 2016.
3. IEEE 802.3ba – Annex 86A “Parallel Physical Interface (nPPI) for 40GBASE-SR4 and 40GBASE-LR4 (XLPP) and 100GBASE-SR10 (CPPI)”
4. Directive 2011/65/EU of the European Council Parliament and of the Council, “on the restriction of the use of certain hazardous substances in electrical and electronic equipment,” June 8, 2011, which supercedes the previous RoHS Directive 2002/95/EC.