

# 100GBASE-PSM4 QSFP28 1310nm 500m DOM Transceiver

QSFP-100G-PSM4-SM1310-LL



## Application

- 100G Ethernet links
- Infiniband QDR and DDR interconnects
- Datacenter and Enterprise networking

## Features

- 4 independent full-duplex channels
- Up to 28Gb/s data rate per channel
- QSFP28 MSA compliant
- Compliant to IEEE 802.3bm 100GBASE PSM4
- Up to 500m reach for G.652 SMF
- Maximum power consumption 3.5W
- Single +3.3V power supply
- Operating case temperature: 0 to 70°C
- RoHS-6 compliant

## General Description

This product is a parallel 100Gb/s Quad Small Form-factor Pluggable (QSFP28) optical module. It provides increased port density and total system cost savings. The QSFP28 full-duplex optical module offers 4 independent transmit and receive channels, each capable of 25Gb/s operation for an aggregate data rate of 100Gb/s on 2km of single mode fiber.

An optical fiber ribbon cable with an MTP/MPO connector can be plugged into the QSFP28 module receptacle. Proper alignment is ensured by the guide pins inside the receptacle. The cable usually cannot be twisted for proper channel to channel alignment. Electrical connection is achieved through an MSA-compliant 38-pin edge type connector.

The module operates with single +3.3V power supply. LVCMOS/LVTTL global control signals, such as Module Present, Reset, Interrupt and Low Power Mode, are available with the modules. A 2-wire serial interface is available to send and receive more complex control signals, and to receive digital diagnostic information. Individual channels can be addressed and unused channels can be shut down for maximum design flexibility.

The product is designed with form factor, optical/electrical connection and digital diagnostic interface according to the QSFP28 Multi-Source Agreement (MSA). It has been designed to meet the harshest external operating conditions including temperature, humidity and

EMI interference. The module can be managed through the I2C two-wire serial interface.

## Functional Description

This product is a QSFP28 parallel single mode optical transceiver with an MTP/MPO fiber ribbon connector. The transmitter module accepts electrical input signals compatible with Common Mode Logic (CML) levels. All input data signals are differential and internally terminated. The receiver module converts parallel optical input signals via a photo detector array into parallel electrical output signals. The receiver module outputs electrical signals are also voltage compatible with Common Mode Logic (CML) levels. All data signals are differential and support a data rates up to 25Gb/s per channel. Figure 1 shows the functional block diagram of this product.

A single +3.3V power supply is required to power up the module. Both power supply pins VccTx and VccRx are internally connected and should be applied concurrently. Per MSA the module offers 7 low speed hardware control pins (including the 2-wire serial interface): ModSelL, SCL, SDA, ResetL, LPMode, ModPrsL and IntL.

Module Select (ModSelL) is an input pin. When held low by the host, the module responds to 2-wire serial communication commands. The ModSelL allows the use of multiple QSFP28 modules on a single 2-wire interface bus – individual ModSelL lines for each QSFP28 module must be used.

Serial Clock (SCL) and Serial Data (SDA) are required for the 2-wire serial bus communication interface and enable the host to access the QSFP28 memory map.

The ResetL pin enables a complete module reset, returning module settings to their default state, when a low level on the ResetL pin is held for longer than the minimum pulse length. During the execution of a reset the host shall disregard all status bits until the module indicates a completion of the reset interrupt. The module indicates this by posting an IntL (Interrupt) signal with the Data\_Not\_Ready bit negated in the memory map. Note that on power up (including hot insertion) the module should post this completion of reset interrupt without requiring a reset

Low Power Mode (LPMode) pin is used to set the maximum power consumption for the module in order to protect hosts that are not capable of cooling higher power modules, should such modules be accidentally inserted.

Module Present (ModPrsL) is a signal local to the host board which, in the absence of a module, is normally pulled up to the host Vcc. When a module is inserted into the connector, it completes the path to ground through a resistor on the host board and asserts the signal. ModPrsL then indicates a module is present by setting ModPrsL to a "Low" state.

Interrupt (IntL) is an output pin. Low indicates a possible module operational fault or a status critical to the host system. The host identifies the source of the interrupt using the 2-wire serial interface. The IntL pin is an open collector output and must be pulled to the Host Vcc voltage on the Host board.

## Product Specifications

### I. Absolute Maximum Ratings

It has to be noted that the operation in excess of any absolute maximum ratings might cause permanent damage to this module.

Parameter	Symbol	Min	Max	Units	Notes
<b>Storage Temperature</b>	$T_S$	-40	85	degC	
<b>Operating Case Temperature</b>	$T_{OP}$	0	70	degC	
<b>Power Supply Voltage</b>	$V_{CC}$	-0.5	3.6	V	
<b>Relative Humidity (non-condensation)</b>	RH	0	85	%	
<b>Damage Threshold, each Lane</b>	$TH_d$	4.5		dBm	

### II. Electrical Characteristics

The following electrical characteristics are defined over the Recommended Operating Environment unless otherwise specified.

Parameter	Symbol	Min	Typical	Max	Units	Notes
<b>Power Consumption</b>				3.5	W	
<b>Supply Current</b>	I <sub>cc</sub>			1.1	A	
<b>Transceiver Power-on Initialization Time</b>				2000	ms	1

#### Transmitter (each Lane)

<b>Single-ended Input Voltage Tolerance (Note 2)</b>		-0.3		4.0	V	Referred to TP1 signal common
<b>AC Common Mode Input Voltage Tolerance</b>		15			mV	RMS
<b>Differential Input Voltage Swing Threshold</b>		50			mV <sub>pp</sub>	LOSA Threshold
<b>Differential Input Voltage Swing</b>	V <sub>in,pp</sub>	190		700	mV <sub>pp</sub>	
<b>Differential Input Impedance</b>	Z <sub>in</sub>	90	100	110	Ohm	

#### Receiver (each Lane)

<b>Single-ended Output Voltage</b>		-0.3		4.0	V	Referred to signal common
<b>AC Common Mode Output Voltage</b>				7.5	mV	RMS
<b>Differential Output Voltage Swing</b>		300		850	mV <sub>pp</sub>	
<b>Differential Output Impedance</b>	Z <sub>out</sub>	90	100	110	Ohm	

#### Notes:

1. Power-on Initialization Time is the time from when the power supply voltages reach and remain above the minimum recommended operating supply voltages to the time when the module is fully functional.
2. The single ended input voltage tolerance is the allowable range of the instantaneous input signals.

### III. Optical Characteristics

All parameters are specified under the recommended operating conditions with PRBS31 data pattern unless otherwise specified.

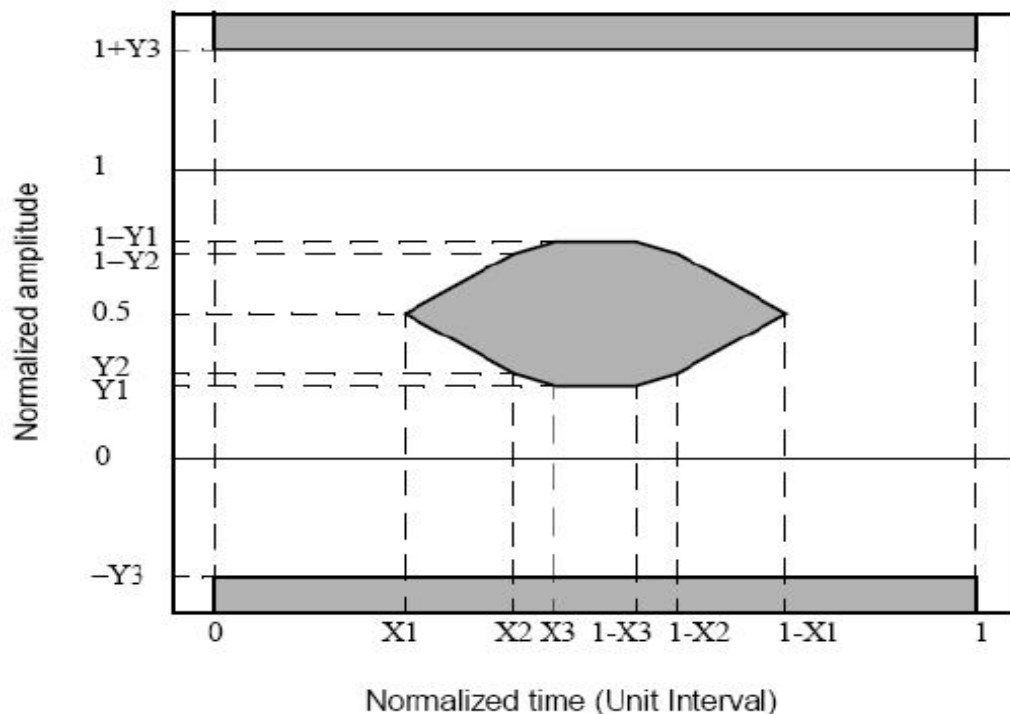
Parameter	Symbol	Min	Typical	Max	Units	Notes
<b>Transmitter</b>						
<b>Center Wavelength</b>	$\lambda_c$	1295	1310	1325	nm	
<b>Side Mode Suppression Ratio</b>	SMSR	30			dB	
<b>Total Average Launch Power</b>	$P_T$			8.0	dBm	
<b>Average Launch Power, each Lane</b>	$P_{AVG}$	-9.4		2.0	dBm	
<b>Optical Modulation Amplitude (OMA), each Lane</b>	$P_{OMA}$	-3.5		2.2	dBm	1
<b>Difference in Launch Power between any Two Lanes (OMA)</b>	$P_{tx,diff}$			5	dB	
<b>Launch Power in OMA minus Transmitter and Dispersion Penalty (TDP), each Lane</b>		-4.3			dBm	
<b>TDP, each Lane</b>	TDP			2.9	dB	
<b>Extinction Ratio</b>	ER	3.5			dB	
<b>Relative Intensity Noise</b>	RIN			-128	dB/Hz	
<b>Optical Return Loss Tolerance</b>	TOL			20	dB	
<b>Transmitter Reflectance</b>	$R_T$			-12	dB	
<b>Average Launch Power OFF Transmitter, each Lane</b>	$P_{off}$			-30	dBm	
<b>Transmitter Eye Mask Definition {X1, X2, X3, Y1, Y2, Y3}</b>				{0.31, 0.4, 0.45, 0.34, 0.38, 0.4}		2

### Receiver

<b>Center Wavelength</b>	$\lambda_c$	1295	1310	1325	nm	
<b>Damage Threshold, each Lane</b>	$TH_d$	4.5			dBm	3
<b>Average Receive Power, each Lane</b>		-12.66		2.0	dBm	
<b>Receive Power (OMA), each Lane</b>				2.2	dBm	
<b>Receiver Sensitivity (OMA), each Lane</b>	SEN1			-9.0	dBm	4
<b>Receiver Sensitivity (OMA), each Lane</b>	SEN2			-12.0	dBm	5
<b>Receiver Reflectance</b>	$R_R$			-26	dB	
<b>Difference in Receive Power between any Two Lanes (OMA)</b>	$Prx,diff$			5.5	dB	
<b>LOS Assert</b>	LOSA		-20		dBm	
<b>LOS Deassert</b>	LOSD		-18		dBm	
<b>LOS Hysteresis</b>	LOSH	0.5			dB	
<b>Receiver Electrical 3 dB upper Cutoff Frequency, each Lane</b>	$F_c$			31	GHz	

#### Notes:

1. Even if the TDP < 0.8 dB, the OMA min must exceed the minimum value specified here.
2. See Figure 4 below.
3. The receiver shall be able to tolerate, without damage, continuous exposure to a modulated optical input signal having this power level on one lane. The receiver does not have to operate correctly at this input power.
4. Measured at receiver input for BER =  $1 \times 10^{-12}$ .
5. Measured at receiver input for BER =  $5 \times 10^{-5}$ .



**Figure 1. Eye Mask Definition**

### IV. Digital Diagnostic Functions

The following digital diagnostic characteristics are defined over the normal operating conditions unless otherwise specified.

Parameter	Symbol	Min	Max	Units	Notes
<b>Temperature monitor absolute error</b>	DMI_Temp	-3	3	degC	Over operating temperature range
<b>Supply voltage monitor absolute error</b>	DMI_VCC	-0.1	0.1	V	Over full operating range
<b>Channel RX power monitor absolute error</b>	DMI_RX_Ch	-2	2	dB	1
<b>Channel Bias current monitor</b>	DMI_Ibias_Ch	-10%	10%	mA	
<b>Channel TX power monitor absolute error</b>	DMI_TX_Ch	-2	2	dB	1

**Notes:**

1. Due to measurement accuracy of different single mode fibers, there could be an additional +/-1 dB fluctuation, or a +/- 3 dB total accuracy.

## V. Recommended Operating Conditions and Power Supply Requirements

Parameter	Symbol	Min	Typical	Max	Units
<b>Operating Case Temperature</b>	$T_{OP}$	0		70	degC
<b>Power Supply Voltage</b>	$V_{CC}$	3.135	3.3	3.465	V
<b>Data Rate, each Lane</b>			25.78125		Gb/s
<b>Control Input Voltage High</b>		2		$V_{CC}$	V
<b>Control Input Voltage Low</b>		0		0.8	V
<b>Link Distance with G.652</b>	D	0.002		2	km

## VI. Transceiver Block Diagram

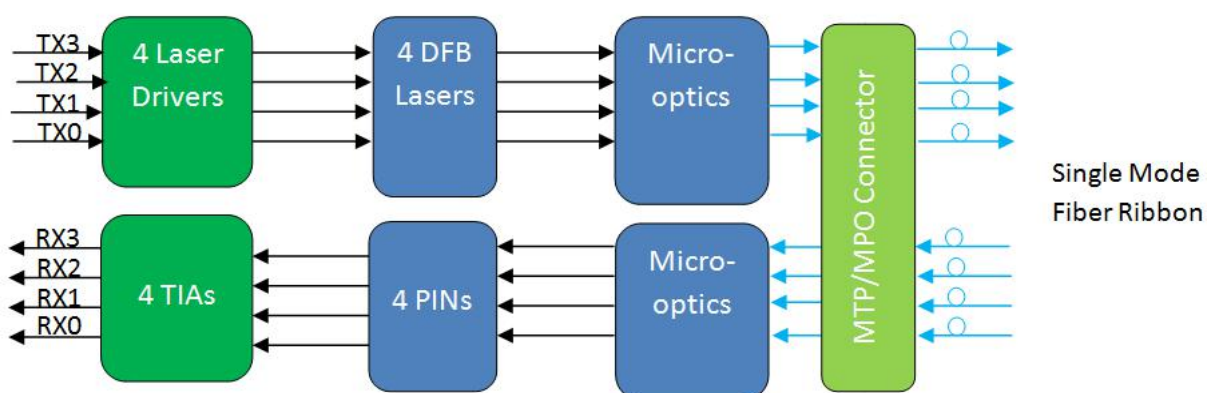
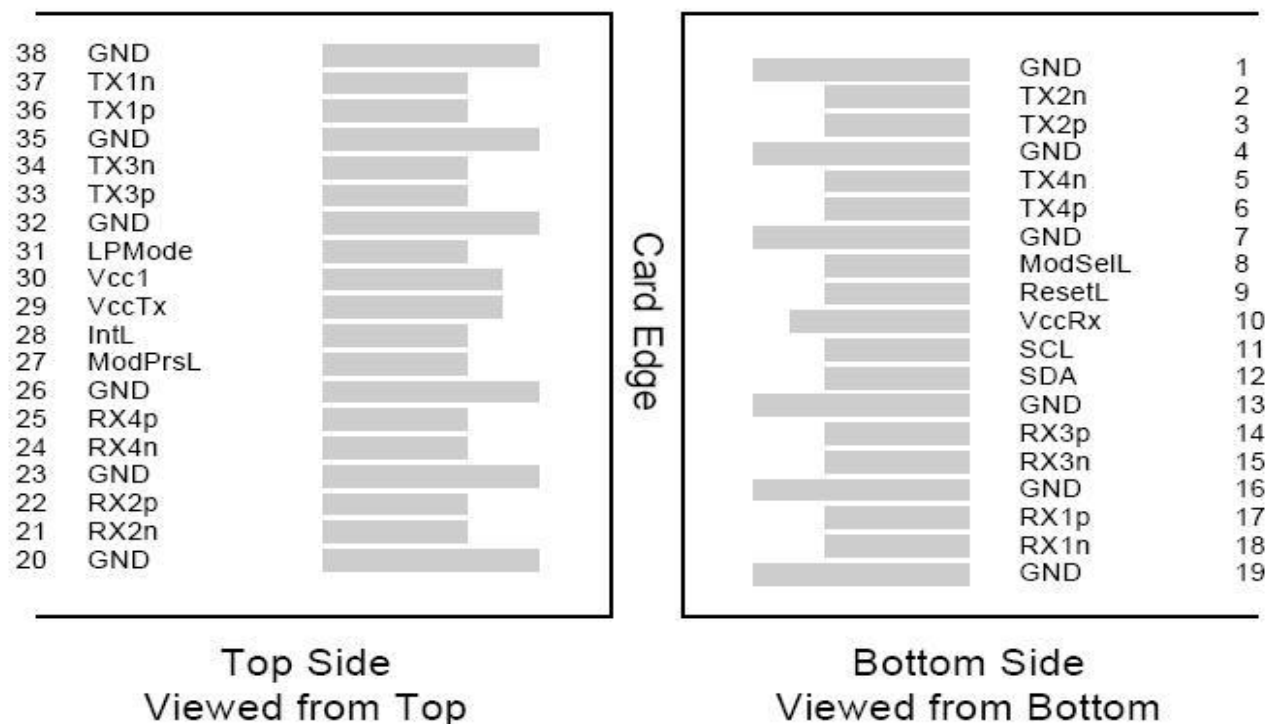


Figure 2. Transceiver Block Diagram



## VII. Pin Assignment and Description



**Figure 3. QSFP28 Transceiver Electrical Connector Layout**

### Pin Definition

PIN	Logic	Symbol	Name/Description	Notes
1		GND	Ground	1
2	CML-I	Tx2n	Transmitter Inverted Data Input	
3	CML-I	Tx2p	Transmitter Non-Inverted Data output	
4		GND	Ground	1
5	CML-I	Tx4n	Transmitter Inverted Data Input	
6	CML-I	Tx4p	Transmitter Non-Inverted Data output	
7		GND	Ground	1
8	LVTLL-I	ModSelL	Module Select	
9	LVTLL-I	ResetL	Module Reset	
10		VccRx	+3.3V Power Supply Receiver	2

11	LVC MOS-I/O	SCL	2-Wire Serial Interface Clock	
12	LVC MOS-I/O	SDA	2-Wire Serial Interface Data	
13		GND	Ground	
14	CML-O	Rx3p	Receiver Non-Inverted Data Output	
15	CML-O	Rx3n	Receiver Inverted Data Output	
16		GND	Ground	1
17	CML-O	Rx1p	Receiver Non-Inverted Data Output	
18	CML-O	Rx1n	Receiver Inverted Data Output	
19		GND	Ground	1
20		GND	Ground	1
21	CML-O	Rx2n	Receiver Inverted Data Output	
22	CML-O	Rx2p	Receiver Non-Inverted Data Output	
23		GND	Ground	1
24	CML-O	Rx4n	Receiver Inverted Data Output	1
25	CML-O	Rx4p	Receiver Non-Inverted Data Output	
26		GND	Ground	1
27	LV TTL-O	ModPrsL	Module Present	
28	LV TTL-O	IntL	Interrupt	
29		VccTx	+3.3 V Power Supply transmitter	2
30		Vcc1	+3.3 V Power Supply	2
31	LV TTL-I	LPMode	Low Power Mode	
32		GND	Ground	1
33	CML-I	Tx3p	Transmitter Non-Inverted Data Input	
34	CML-I	Tx3n	Transmitter Inverted Data Output	
35		GND	Ground	1
36	CML-I	Tx1p	Transmitter Non-Inverted Data Input	
37	CML-I	Tx1n	Transmitter Inverted Data Output	
38		GND	Ground	1

## Notes:

1. GND is the symbol for signal and supply (power) common for QSFP28 modules. All are common within the QSFP28 module and all module voltages are referenced to this potential unless otherwise noted. Connect these directly to the host board signal common ground plane.
2. VccRx, Vcc1 and VccTx are the receiver and transmitter power suppliers and shall be applied concurrently. Recommended host board power supply filtering is shown in Figure 3 below. Vcc Rx, Vcc1 and VccTx may be internally connected within the QSFP28 transceiver module in any combination. The connector pins are each rated for a maximum current of 1000mA.

## VIII. Recommended Power Supply Filter

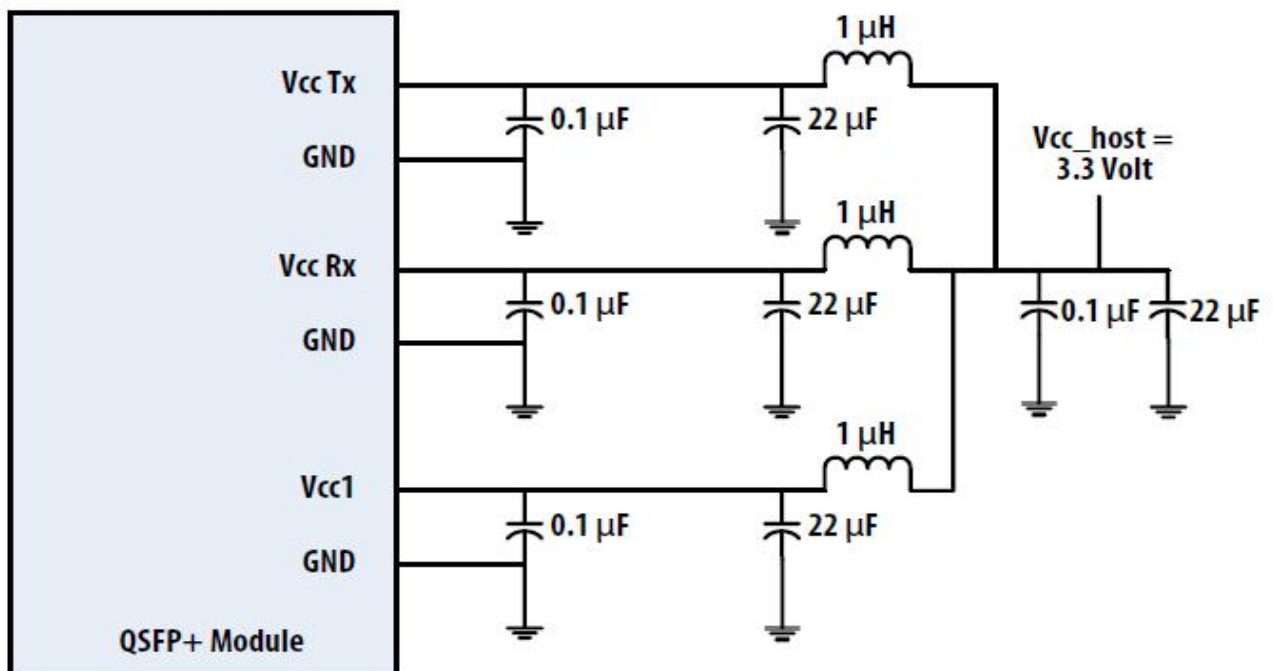
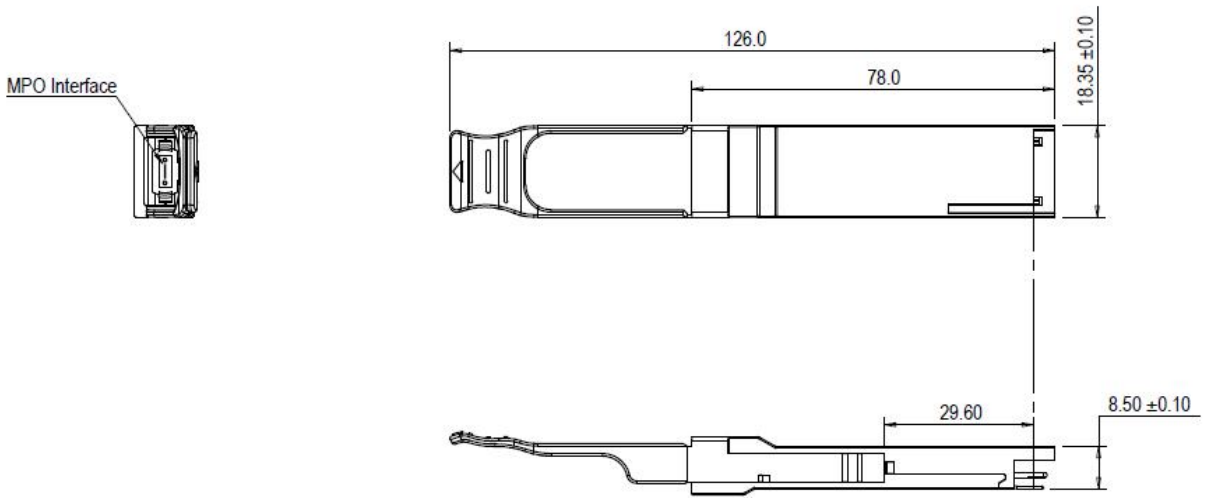


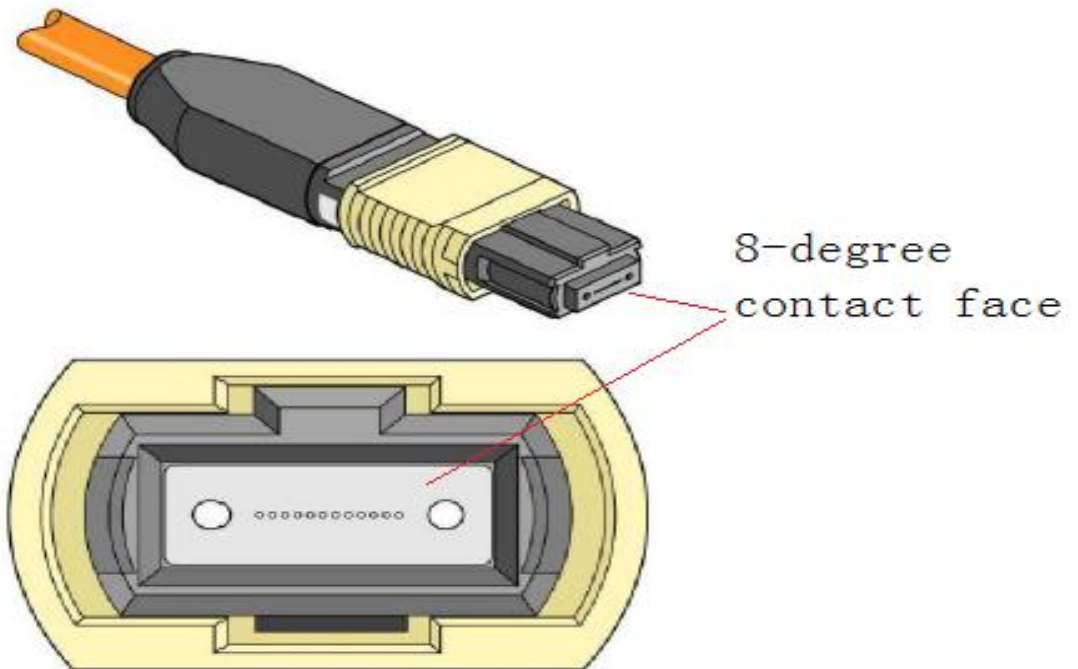
Figure 4. Recommended Power Supply Filter

## XI. Mechanical Dimensions



**Figure 5. Mechanical Outline**

Attention: To minimize MPO connection induced reflections, an MPO receptacle with 8-degree angled end-face is utilized for this product. A female MPO connector with 8-degree end-face should be used with this product as illustrated in Figure 6.



**Figure 6. Female MPO Connector with 8-degree End-face**

## **X. ESD**

This transceiver is specified as ESD threshold 1KV for high speed data pins and 2KV for all others electrical input pins, tested per MIL-STD-883, Method 3015.4 /JESD22-A114-A (HBM). However, normal ESD precautions are still required during the handling of this module. This transceiver is shipped in ESD protective packaging. It should be removed from the packaging and handled only in an ESD protected environment.

## **XI. Laser Safety**

This is a Class 1 Laser Product according to EN 60825-1:2014. This product complies with 21 CFR 1040.10 and 1040.11 except for deviations pursuant to Laser Notice No. 50, dated (June 24, 2007).

Caution: Use of controls or adjustments or performance of procedures other than those specified herein may result in hazardous radiation exposure.