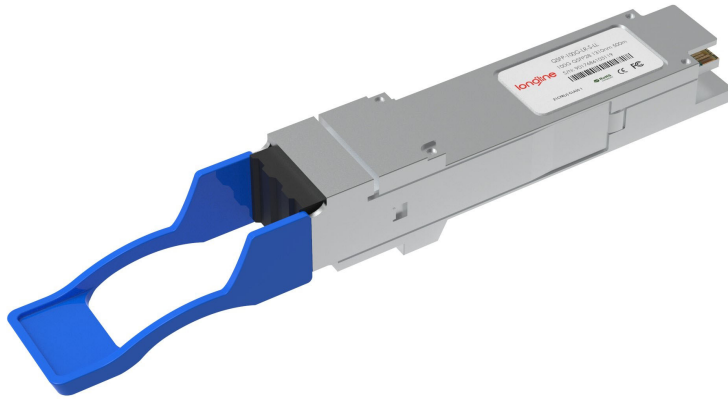


# 100GBASE-LR QSFP28 Single Lambda 1310nm 10km DOM Transceiver

QSFP-100G-LR-S-LL



## Application

- Data Center Interconnect
- 100G Ethernet
- Enterprise networking

## Features

- QSFP28 MSA compliant
- Supports 53.125Gbaud
- 100G Lambda MSA 100G-LR Specification compliant
- Operating case temperature: 0 to 70°C
- Maximum power consumption 4.5W
- Up to 10km transmission on single mode fiber (SMF) with FEC
- 4x25G electrical interface (OIF CEI-28G-VSR)
- LC duplex connector
- RoHS compliant

## Description

### I. General Description

This product is a transceiver module designed for 10km optical communication applications. The module incorporates one channel optical signal, on 1310nm center wavelength, operating at 50Gbaud data rate. The transmitter path incorporates an EML Driver and a cooled EML together. On the receiver path, the input optical signal is coupled to a Pin photodiode detector. A DSP based gearbox is used to convert 4x25Gbps NRZ signals to 1x50Gbaud PAM4 signal. Also a 4-channel retimer and FEC block are integrated in this DSP. The electrical interface is compliant with IEEE 802.3cd and QSFP28 MSA in the transmitting and receiving directions, and optical interface is compliant to IEEE 802.3cd and 100G Lambda MSA with Duplex LC connector. The module has a maximum power consumption of 4.5W. The product is designed with form factor, optical/electrical connection and digital diagnostic interface according to the QSFP28 Multi-Source Agreement (MSA). It has been designed to meet the harshest external operating conditions including temperature, humidity and EMI interference.

### II. Functional Description

This product converts the 4-channel of 100Gbps aggregated NRZ electrical input data into one channel of 50Gbaud PAM4 optical signal (light) on 1310nm center wavelength through a DSP based gearbox, by a driven cooled Electro-absorption Modulated DFB Laser (EML). The light propagates out of the transmitter into an SMF fiber. The receiver module accepts the 50Gbaud PAM4 optical signal input, and converts it into a 50Gbaud PAM4 electrical signal via a linear amplifier. And then convert the 50Gbaud PAM4 signal into 4 channels of 25Gbps NRZ signals. Figure 1 shows the functional block diagram of this product.

A single +3.3V power supply is required to power up this product. Both power supply pins VccTx and VccRx are internally connected and should be applied concurrently. As per MSA specifications the module offers seven low speed hardware control pins (including the 2-wire serial interface): ModSelL, SCL, SDA, ResetL, LPMode, ModPrsL and IntL.

Module Select (ModSelL) is an input pin. When held low by the host, this product responds to 2-wire serial communication commands. The ModSelL allows the use of this product on a single 2-wire interface bus – individual ModSelL lines must be used.

Serial Clock (SCL) and Serial Data (SDA) are required for the 2-wire serial bus communication interface and enable the host to access the memory map.

The ResetL pin enables a complete reset, returning the settings to their default state, when a low level on the ResetL pin is held for longer than the minimum pulse length. During the execution of a reset the host shall disregard all status bits until it indicates a completion of the reset interrupt. The product indicates this by posting an IntL (Interrupt) signal with the Data\_Not\_Ready bit negated in the memory map. Note that on power up (including hot insertion) the module should post this completion of reset interrupt without requiring a reset.

Low Power Mode (LPMode) pin is used to set the maximum power consumption for the product in order to protect hosts that are not capable of cooling higher power modules, should such modules be accidentally inserted.

Module Present (ModPrsL) is a signal local to the host board which, in the absence of a product, is normally pulled up to the host Vcc. When the product is inserted into the connector, it completes the path to ground through a resistor on the host board and asserts the signal. ModPrsL then indicates its present by setting ModPrsL to a “Low” state.

Interrupt (IntL) is an output pin. “Low” indicates a possible operational fault or a status critical to the host system. The host identifies the source of the interrupt using the 2-wire serial interface. The IntL pin is an open collector output and must be pulled to the Host Vcc voltage on the Host board.

## Product Specifications

### I. Absolute Maximum Ratings

It has to be noted that the operation in excess of any individual absolute maximum ratings might cause permanent damage to this module.

Parameter	Symbol	Min	Typ.	Max	Unit	Ref.
<b>Storage Temperature</b>	T <sub>s</sub>	-40		85	°C	
<b>Operating Case Temperature</b>	T <sub>OP</sub>	0		70	°C	
<b>Power Supply Voltage</b>	V <sub>CC</sub>	-0.5		3.6	V	
<b>Relative Humidity (non-condensation)</b>	RH	0		85	%	
<b>Damage Threshold</b>	TH <sub>d</sub>	5.5			dBm	

### II. Recommended Operating Conditions and Power Supply Requirements

Parameter	Symbol	Min	Typ.	Max	Unit	Ref.
<b>Operating Case Temperature</b>	T <sub>OP</sub>	0		70	°C	
<b>Power Supply Voltage</b>	V <sub>CC</sub>	3.135	3.3	3.465	V	
<b>Electrical Data Rate, each Lane (NRZ)</b>			25.78125		Gb/s	
<b>Optical Data Rate (PAM4)</b>			53.125		GBd	
<b>Data Rate Accuracy</b>		-100		100	ppm	
<b>Pre-FEC Bit Error Ratio</b>				2.4x10 <sup>-4</sup>		
<b>Post-FEC Bit Error Ratio</b>				1x10 <sup>-12</sup>		1
<b>Control Input Voltage High</b>		2		V <sub>CC</sub>	V	
<b>Control Input Voltage Low</b>		0		0.8	V	

<b>Link Distance with G.652</b>	D	0.002		10	km	2
---------------------------------	---	-------	--	----	----	---

**Notes:**

- 1.FEC feature is embedded in the module.
- 2.FEC required to be turned on to support maximum transmission distance.

### III. Optical Characteristics

Parameter	Symbol	Min	Typ.	Max	Unit	Ref.
<b>Transmitter</b>						
<b>Center Wavelength</b>	$\lambda_t$	1304.5		1317.5	nm	
<b>Side Mode Suppression Ratio</b>	SMSR	30			dB	
<b>Average Launch Power</b>	$P_{AVG}$	-1.4		4.5	dBm	1
<b>Outer Optical Modulation Amplitude (<math>OMA_{outer}</math>)</b>	$P_{OMA}$	0.7		4.7	dBm	2
<b>Launch Power in <math>OMA_{outer}</math> minus TDECQ for <math>ER \geq 4.5dB</math></b>		-0.7			dBm	
<b>Launch Power in <math>OMA_{outer}</math> minus TDECQ for <math>ER &lt; 4.5dB</math></b>		-0.6			dBm	
<b>Transmitter and Dispersion Eye Closure for PAM4 (TDECQ)</b>	TDECQ			3.4	dB	
<b>TDECQ - <math>10 \cdot \log_{10}(C_{eq})</math></b>				3.4	dB	3
<b>Extinction Ratio</b>	ER	3.5			dB	
<b><math>RIN_{15.6OMA}</math></b>	RIN			-136	dB/Hz	
<b>Optical Return Loss Tolerance</b>	TOL			15.6	dB	
<b>Transmitter Reflectance</b>	$R_T$			-26	dB	
<b>Transmitter Transition Time</b>				17	ps	
<b>Average Launch Power of OFF Transmitter</b>	$P_{off}$			-15	dBm	

**Receiver**

<b>Center Wavelength</b>	$\lambda_r$	1304.5	1317.5	nm	
<b>Damage Threshold</b>	$TH_d$	5.5		dBm	4
<b>Average Receive Power</b>		-7.7	4.5	dBm	5
<b>Receive Power (<math>OMA_{outer}</math>)</b>			4.7	dBm	
<b>Receiver Sensitivity (<math>OMA_{outer}</math>)</b>	SEN		Equation (1)	dBm	6
<b>Stressed Receiver Sensitivity (<math>OMA_{outer}</math>)</b>	SRS		-4.1	dBm	7
<b>Receiver Reflectance</b>	$R_R$		-26	dB	
<b>LOS Assert</b>	LOSA	-15		dBm	
<b>LOS Deassert</b>	LOSD		-10.7	dBm	
<b>LOS Hysteresis</b>	LOSH	0.5		dB	
<b>Conditions of Stress Receiver Sensitivity Test (Note 8)</b>					
<b>Stressed Eye Closure for PAM4 (SECQ)</b>			3.4	dB	
<b>SECQ – <math>10 \cdot \log_{10}(C_{eq})</math></b>			3.4	dB	

**Notes:**

1. Average launch power, each lane min is informative and not the principal indicator of signal strength. A transmitter with launch power below this value cannot be compliant; however, a value above this does not ensure compliance.
2. Even if the TDECQ < 1.4dB for an extinction ratio of  $\geq 4.5$ dB or TDECQ < 1.3dB for an extinction ratio of < 4.5dB, the  $OMA_{outer}$  (min) must exceed the minimum value specified here.
3.  $C_{eq}$  is a coefficient defined in IEEE Std 802.3-2018 clause 121.8.5.3 which accounts for reference equalizer noise enhancement.
4. Average receive power (min) is informative and not the principal indicator of signal strength. A received power below this value cannot be compliant; however, a value above this does not ensure compliance.
5. The receiver shall be able to tolerate, without damage, continuous exposure to a modulated optical input signal having this power level on one lane. The receiver does not have to operate correctly at this input power.
6. Receiver sensitivity ( $OMA_{outer}$ ) (max) is informative and is defined for a transmitter with a value of SECQ up to 3.4 dB. It should meet Equation (1), which is illustrated in Figure 4.

$$R S = \max(-6.1, S E Q - 7.5) d B \quad (1)$$

Where:

RS is the receiver sensitivity, and

SECQ is the SECQ of the transmitter used to measure the receiver sensitivity.

7.Measured with conformance test signal at TP3 for the BER equal to  $2.4 \times 10^{-4}$ .

8.These test conditions are for measuring stressed receiver sensitivity. They are not characteristics of the receiver.

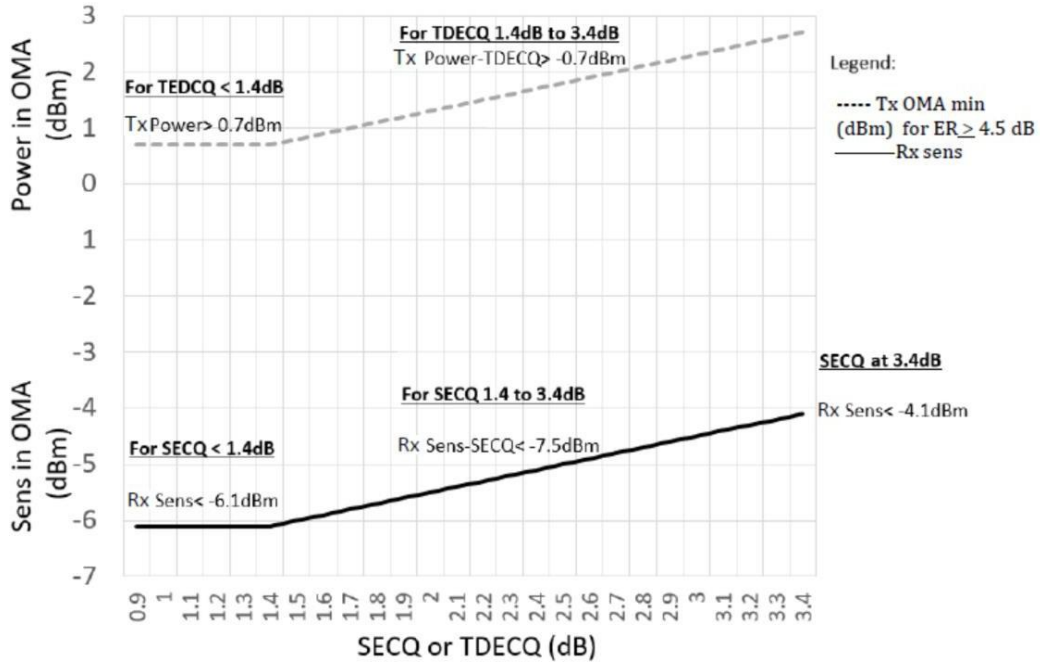


Figure 1 – Illustration of Receiver Sensitivity Mask for 100G-LR

#### IV. Electrical Characteristics

The following electrical characteristics are defined over the Recommended Operating Environment unless otherwise specified.

Parameter	Symbol	Min	Typ.	Max	Unit	Ref.
<b>Power Consumption</b>				4.5	W	
<b>Supply Current</b>	I <sub>cc</sub>			1.36	A	
<b>Transmitter (each Lane)</b>						
<b>Overload Differential Voltage pk-pk</b>	TP1a	900			mV	
<b>Common Mode Voltage (V<sub>cm</sub>)</b>	TP1	-350		2850	mV	1

<b>Differential Termination Resistance Mismatch</b>	TP1		10	%	At 1MHz
<b>Differential Return Loss (SDD11)</b>	TP1			See CEI- 28G-VSR Equation 13-19	dB
<b>Common Mode to Differential Conversion and Differential to Common Mode Conversion (SDC11,SCD11)</b>	TP1			See CEI- 28G-VSR Equation 13-20	dB
<b>Stressed Input Test</b>	TP1a	See CEI- 28G-VSR Section 13.3.11.2.1			

### Receiver (each Lane)

<b>Differential Voltage, pk-pk</b>	TP4		900	mV	
<b>Common Mode Voltage (Vcm)</b>	TP4	-350	2850	mV	1
<b>Common Mode Noise, RMS</b>	TP4		17.5	mV	
<b>Differential Termination Resistance Mismatch</b>	TP4		10	%	At 1MHz
<b>Differential Return Loss (SDD22)</b>	TP4			See CEI- 28G-VSR Equation 13-19	dB
<b>Common Mode to Differential Conversion and Differential to Common Mode Conversion (SDC22,SCD22)</b>	TP4			See CEI- 28G-VSR Equation 13-21	dB
<b>Common Mode Return Loss (SCC22)</b>	TP4		-2	dB	2
<b>Transition Time, 20 to 80%</b>	TP4	9.5		ps	
<b>Vertical Eye Closure (VEC)</b>	TP4		5.5	dB	
<b>Eye Width at 10<sup>-15</sup> probability (EW15)</b>	TP4	0.57		UI	
<b>Eye Height at 10<sup>-15</sup> probability (EH15)</b>	TP4	228		mV	

#### Notes:

- 1.Vcm is generated by the host. Specification includes effects of ground offset voltage
- 2.From 250MHz to 30GHz.

## V. Digital Diagnostic Functions

The following digital diagnostic characteristics are defined over the normal operating conditions unless otherwise specified.

Parameter	Symbol	Min	Max	Unit	Ref.
<b>Temperature Monitor Absolute Error</b>	DMI_Temp	-3	3	°C	Over operating temperature range
<b>Supply Voltage Monitor Absolute Error</b>	DMI_VCC	-0.1	0.1	V	Over full operating range
<b>RX Power Monitor Absolute Error</b>	DMI_RX	-2	2	dB	1
<b>Bias Current Monitor</b>	DMI_Ibias	-10%	10%	mA	
<b>TX Power Monitor Absolute Error</b>	DMI_TX	-2	2	dB	1

### Notes:

1. Due to measurement accuracy of different single mode fibers, there could be an additional +/- dB fluctuation, or a +/- 3 dB total accuracy.

## VI. Transceiver Block Diagram

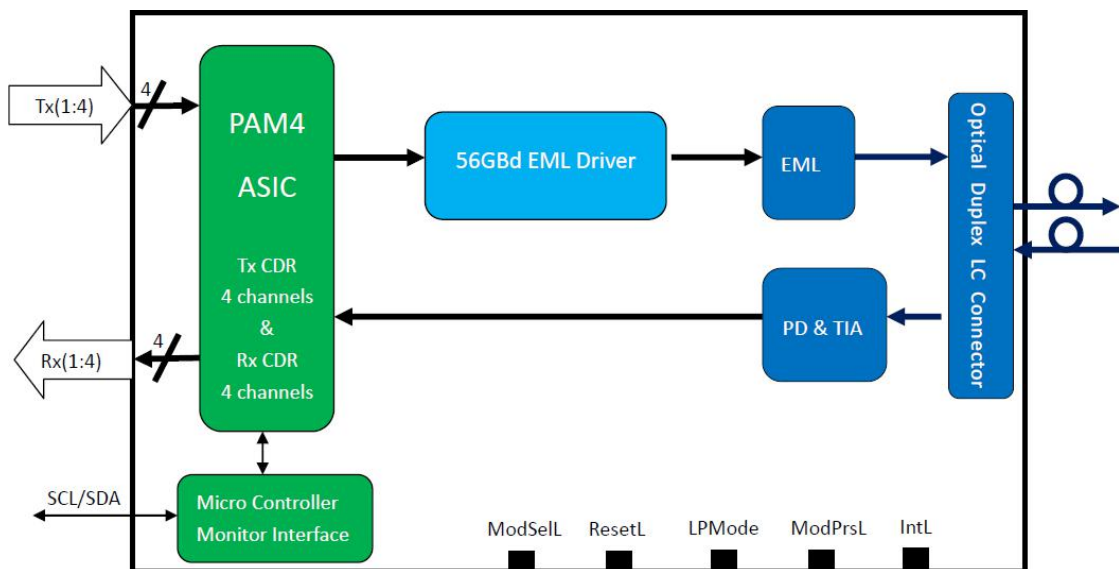
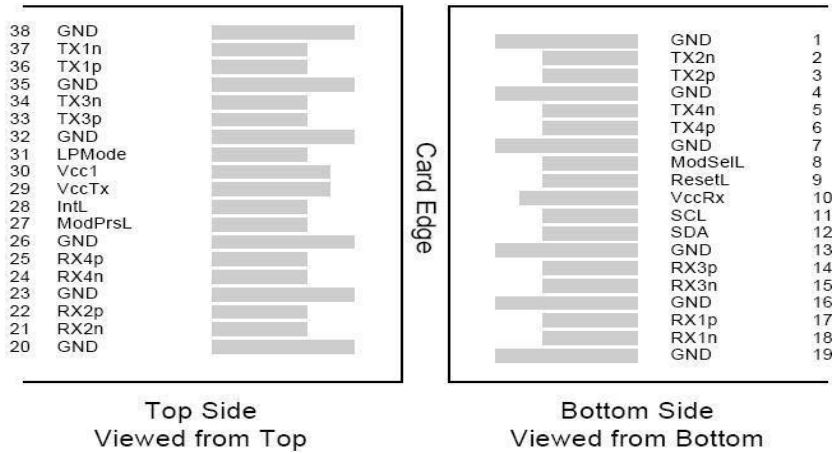


Figure 2 – Transceiver Block Diagram



## VII. PIN Assignment and Description



**Figure 3 – MSA Compliant Connector**

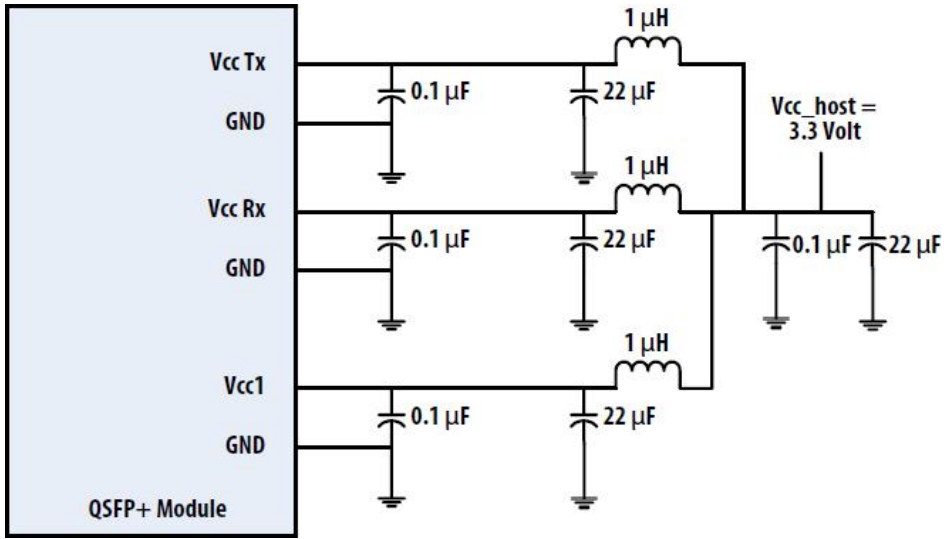
Pin	Logic	Symbol	Description	Notes
1		GND	Ground	1
2	CML-I	Tx2n	Transmitter Inverted Data Input	
3	CML-I	Tx2p	Transmitter Non-Inverted Data output	
4		GND	Ground	1
5	CML-I	Tx4n	Transmitter Inverted Data Input	
6	CML-I	Tx4p	Transmitter Non-Inverted Data output	
7		GND	Ground	1
8	LVTLL-I	ModSelL	Module Select	
9	LVTTL-I	ResetL	Module Reset	
10		VccRx	+3.3 V Power Supply Receiver	2
11	LVCMOS-I/O	SCL	2-Wire Serial Interface Clock	
12	LVCMOS-I/O	SDA	2-Wire Serial Interface Data	
13		GND	Ground	
14	CML-O	Rx3p	Receiver Non-Inverted Data Output	
15	CML-O	Rx3n	Receiver Inverted Data Output	
16		GND	Ground	1

17	CML-O	Rx1p	Receiver Non-Inverted Data Output	
18	CML-O	Rx1n	Receiver Inverted Data Output	
19		GND	Ground	1
20		GND	Ground	1
21	CML-O	Rx2n	Receiver Inverted Data Output	
22	CML-O	Rx2p	Receiver Non-Inverted Data Output	
23		GND	Ground	1
24	CML-O	Rx4n	Receiver Inverted Data Output	1
25	CML-O	Rx4p	Receiver Non-Inverted Data Output	
26		GND	Ground	1
27	LVTTTL-O	ModPrsL	Module Present	
28	LVTTTL-O	IntL	Interrupt	
29		VccTx	+3.3V Power supply transmitter	2
30		Vcc1	+3.3V Power supply	2
31	LVTTTL-I	LPMODE	Low Power Mode	
32		GND	Ground	1
33	CML-I	Tx3p	Transmitter Non-Inverted Data Input	
34	CML-I	Tx3n	Transmitter Inverted Data Output	
35		GND	Ground	1
36	CML-I	Tx1p	Transmitter Non-Inverted Data Input	
37	CML-I	Tx1n	Transmitter Inverted Data Output	
38		GND	Ground	1

**Notes:**

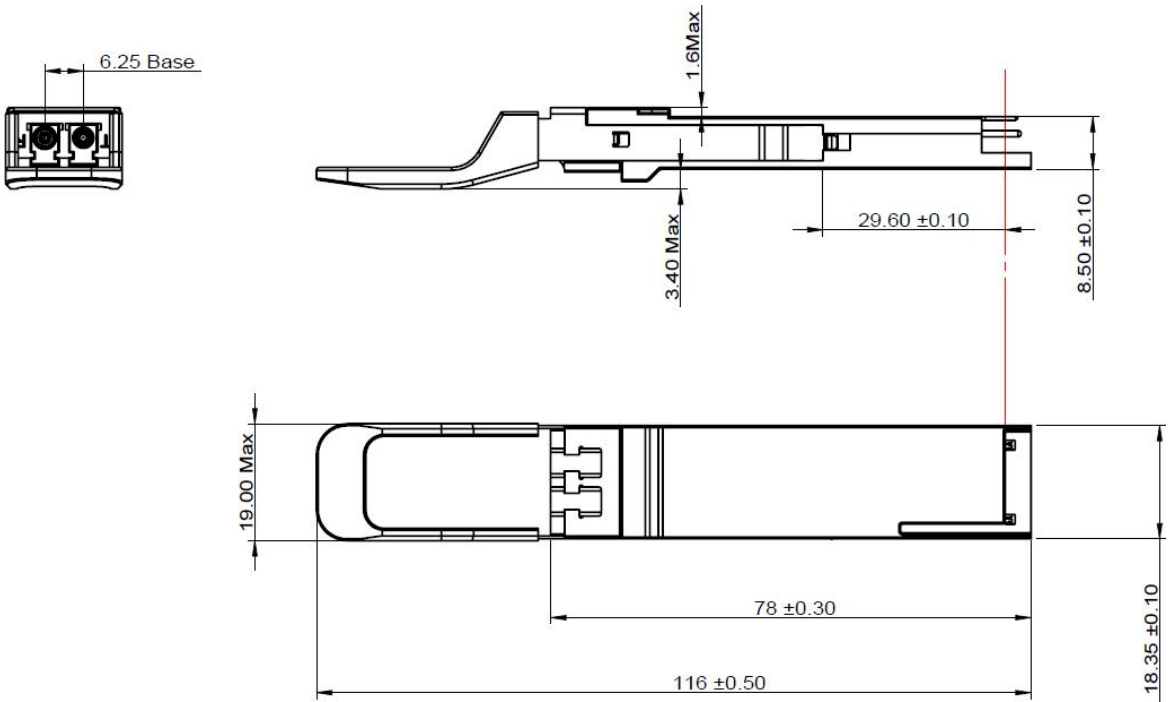
1. GND is the symbol for signal and supply (power) common for QSFP28 modules. All are common within the QSFP28 module and all module voltages are referenced to this potential unless otherwise noted. Connect these directly to the host board signal common ground plane.
2. VccRx, Vcc1 and VccTx are the receiving and transmission power suppliers and shall be applied concurrently. Recommended host board power supply filtering is shown in Figure 3 below. Vcc Rx, Vcc1 and Vcc Tx may be internally connected within the QSFP28 transceiver module in any combination. The connector pins are each rated for a maximum current of 1000mA.

**VIII. Recommended Power Supply Filter**



**Figure 4 – Recommended Power Supply Filter**

**IX. Mechanical Dimensions**



**Figure 5 – Mechanical Outline**

## **X. ESD**

This transceiver is specified as ESD threshold 1kV for high speed data pins and 2kV for all other electrical input pins, tested per MIL-STD-883, Method 3015.4 /JESD22-A114-A (HBM). However, normal ESD precautions are still required during the handling of this module. This transceiver is shipped in ESD protective packaging. It should be removed from the packaging and handled only in an ESD protected environment.

## **XI. Laser Safety**

This is a Class 1 Laser Product according to EN 60825-1:2014. This product complies with 21 CFR 1040.10 and 1040.11 except for deviations pursuant to Laser Notice No. 50, dated (June 24, 2007).

Caution: Use of controls or adjustments or performance of procedures other than those specified herein may result in hazardous radiation exposure.