

1000BASE-BX SFP DOM Transceiver 1550nmTX/1490nmRX

MGBIC-BX120-D-LL



Application

- Switch to Switch Interface
- Fast Ethernet
- Switched Backplane Applications
- Router/Server Interface
- Other Optical Links

Features

- Operating data rate Up to 1.25Gb/s
- Two types:
 - A:1490nm DFB transmitter /1550nm receiver
 - B:1550nm DFB transmitter/1490nm receiver
- Up to 80km on 9/125µm SMF
- Hot-pluggable SFP footprint
- BIDI LC/UPC type pluggable optical interface
- Low power dissipation
- Metal enclosure, for lower EMI
- RoHS compliant and lead-free
- Support Digital Diagnostic Monitor interface
- Single +3.3V power supply
- Case operating temperature:
 - Commercial: 0° C ~ 70° C
 - Extended: -20° C ~ 85° C
 - Industrial: -40° C ~ 85° C
- Compliant with MSA SFP Specification
- Compliant with SFF-8472
- Compliant with IEEE 802.3z

Description

Longline SFP-GE-BX80-LL SFP transceiver is compatible with the Small Form Factor Pluggable Multi-Sourcing Agreement (MSA). The transceiver consists of five sections: the LD driver, the limiting amplifier, the digital diagnostic monitor, the 1490nm FP laser (the 1550nm DFB laser) and the PIN/TIA. The module data link up to 80km in 9/125um Single-mode fiber.

This transceiver meets the Small Form Pluggable (SFP) industry standard package utilizing an integral LC-Bi-directional optical interface connector. An enhanced Digital Diagnostic Monitoring Interface compliant with SFF-8472 has been incorporated into the transceiver. It allows real time access to the transceiver operating parameters such as transceiver temperature, laser bias current, transmitted optical power, received optical power and transceiver supply voltage by reading a built-in memory with I²C interface.

The optical output can be disabled by a LVTTTL logic high-level input of Tx Disable, and the system also can disable the module via I²C. Tx Fault is provided to indicate that degradation of the laser. Loss of signal (LOS) output is provided to indicate the loss of an input optical signal of receiver or the link status with partner. The system can also get the LOS (or Link)/Disable/Fault information via I²C register access.

Product Specifications

I.General Specifications

| Parameter | Symbol | Min | Typ. | Max | Unit |
|----------------------------------|--------|-----|------|------|--------|
| Bit Rate | BR | | | 1.25 | Gb/sec |
| Max.Supported Link Length | Lmax | | | 80 | km |

II. Absolute Maximum Ratings

| Parameter | Symbol | Min | Typ. | Max | Unit | Ref. |
|---------------------------------|------------|------|------|--------------|--------|--------|
| Storage Temperature | T_S | -40 | | 85 | °C | |
| Storage Ambient Humidity | H_A | 5 | | 95 | % | |
| Power Supply Voltage | V_{CC} | -0.5 | | 4 | V | |
| Signal Input Voltage | | -0.3 | | $V_{CC}+0.3$ | V | |
| Receiver Damage Threshold | | +3 | | | dBm | |
| Lead Soldering Temperature/Time | T_{sold} | | | 260/10 | °C/sec | Note 1 |
| Lead Soldering Temperature/Time | T_{sold} | | | 360/10 | °C/sec | Note 2 |

Notes:

1. Suitable for wave soldering.
2. Only for soldering by iron.

III. Electrical Characteristics

| Parameter | Symbol | Min | Typ. | Max | Unit | Ref. |
|----------------------------|------------|-----|------|-----|------|----------------------|
| Case Operating Temperature | T_{case} | 0 | | 70 | | SFP-GE-BX 80-LL-C |
| | | -20 | | 85 | °C | SFP-GE-BX 80-LL-E |
| | | -40 | | 85 | | SFP-GE-BX 80-LL-I |

| Parameter | Symbol | Min | Typ. | Max | Unit | Ref. |
|------------------------------|----------|-------------------|-----------|------|------|---------------------|
| Ambient Humidity | H_A | 5 | | 70 | % | Non-condensing |
| Power Supply Voltage | V_{CC} | 3.13 | 3.3 | 3.47 | V | |
| Power Supply Current | I_{CC} | | | 280 | mA | |
| Data Rate | | | 1250/1250 | | Mbps | TX Rate/RX Rate |
| Transmission Distance | | | | 80 | km | |
| Coupled Fiber | | Single mode fiber | | | | 9/125 μ m G.652 |

Transmitter

| | | | | | | |
|---------------------------------------|------------|----------------------|--|--------------|----|--------|
| Total Supply Current | I_{CC} | | | A | mA | |
| Transmitter Disable Input-High | V_{DISH} | 2 | | $V_{CC}+0.3$ | V | Note 1 |
| Transmitter Disable Input-Low | V_{DISL} | 0 | | 0.8 | V | LVTTTL |
| Fault Input-High | V_{TxFH} | Transmitter 2 | | $V_{CC}+0.3$ | V | LVTTTL |
| Transmitter Fault Input-Low | V_{TxFL} | 0 | | 0.8 | V | LVTTTL |

Receiver

| | | | | | | |
|--------------------------------|------------|---|--|--------------|----|--------|
| Total Supply Current | I_{CC} | | | B | mA | Note 1 |
| LOS Output Voltage-High | V_{LOSH} | 2 | | $V_{CC}+0.3$ | V | LVTTTL |
| LOS Output Voltage-Low | V_{LOSL} | 0 | | 0.8 | V | LVTTTL |

Note:

1. A (TX) + B (RX) = 280mA (Not include termination circuit)

IV. Optical Characteristics

| Parameter | Symbol | Min | Typ. | Max | Unit | Ref. |
|-----------|--------|-----|------|-----|------|------|
|-----------|--------|-----|------|-----|------|------|

Transmitter

| | | | | | | |
|------------------------------|---|------|------|------|-----|----------------------|
| Average Output Power | P_{OUT} | -2 | | +3 | dBm | |
| | | -5 | | 0 | | |
| Extinction Ratio | ER | 9 | | | dB | |
| Center Wavelength | λ_c | 1470 | 1490 | 1510 | nm | MQEL-K80B45 |
| | | 1530 | 1550 | 1570 | | MQEL-K80B54 |
| Spectrum Width (RMS) | σ | | | 1 | nm | FP Laser(TX:1490nm) |
| Side Mode Suppression Ratio | SMSR | 30 | | | dB | DFB Laser(TX:1550nm) |
| Spectrum Bandwidth(-20dB) | σ | | | 1 | nm | |
| Transmitter OFF Output Power | P_{OFF} | | | -45 | dBm | |
| Jitter p-p | t_j | | | 0.1 | UI | Note 1 |
| Output Eye Mask | Compliant with IEEE802.3 z (class 1 laser safety) | | | | | Note 2 |

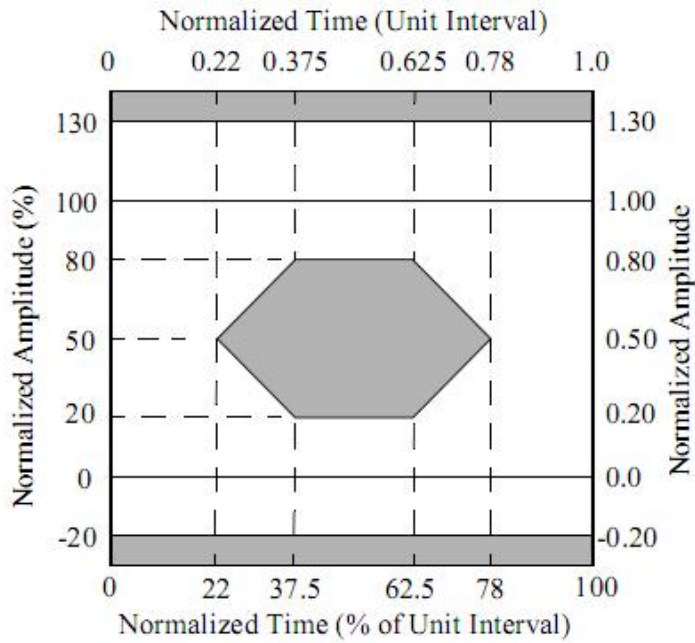
Receiver

| | | | | | | |
|--------------------------|----------------|------|------|------|----|-------------|
| Input Optical Wavelength | λ_{IN} | 1530 | 1550 | 1570 | nm | MQEL-K80B45 |
| | | 1470 | 1490 | 1510 | | MQEL-K80B54 |

| | | | | | | |
|--|-------------|-----|--|-------|-----|--------|
| Receiver Sensitivity | P_{IN} | | | -24 | dBm | Note 3 |
| Input Saturation Power (Overload) | P_{SAT} | -3 | | | dBm | |
| Loss of Signal Assert | P_A | -45 | | | dBm | |
| Loss of Signal De-assert | P_D | | | -23.5 | dBm | Note 4 |
| LOS Hysteresis | $P_D - P_A$ | 0.5 | | 6 | dB | |

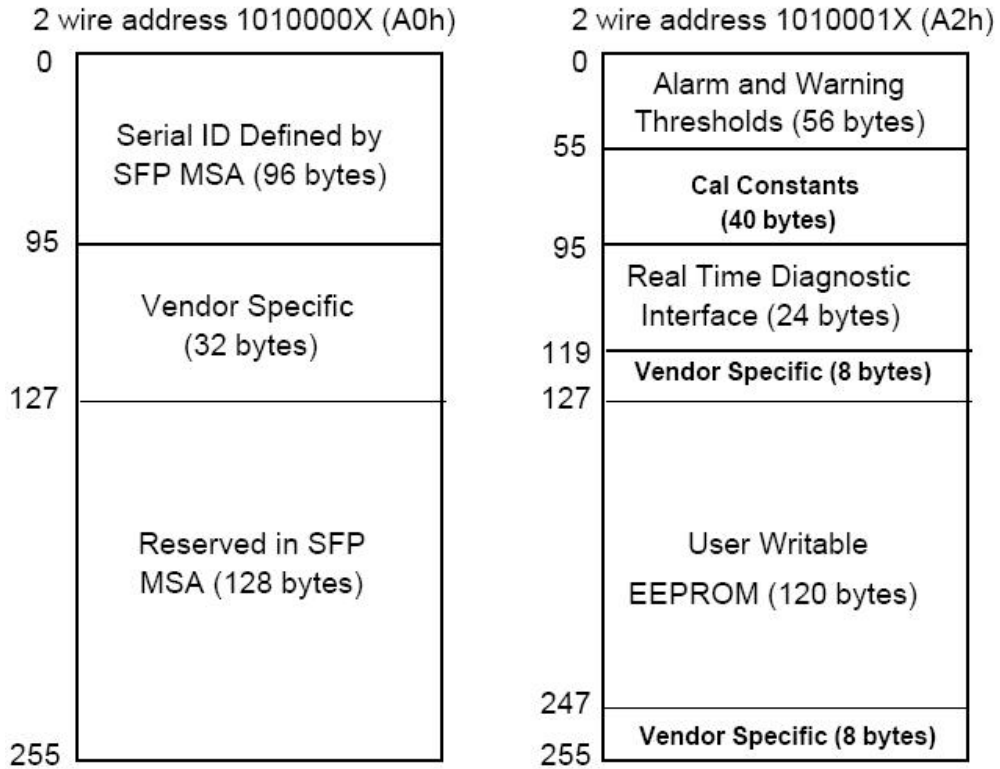
Notes:

1. Measure at 2⁷-1 NRZ PRBS pattern.
2. Transmitter eye mask definition.



3. Measured with light source 1490nm(1310nm), ER=9dB; BER =<10⁻¹² @PRBS=2⁷-1 NRZ
4. When LOS De-asserted, the RX data+/- output is signal output.

V. Digital Diagnostic Memory Map



VI. Digital Diagnostic Monitoring Information

| Parameter | Unit | Accuracy |
|------------------|------|----------|
| Case Temperature | °C | ±3 |
| Supply Voltage | V | ±3% |
| TX Bias Current | mA | ±10% |
| TX Optical Power | dB | ±3 |
| RX Optical Power | dB | ±3 |

VII. Pin Description

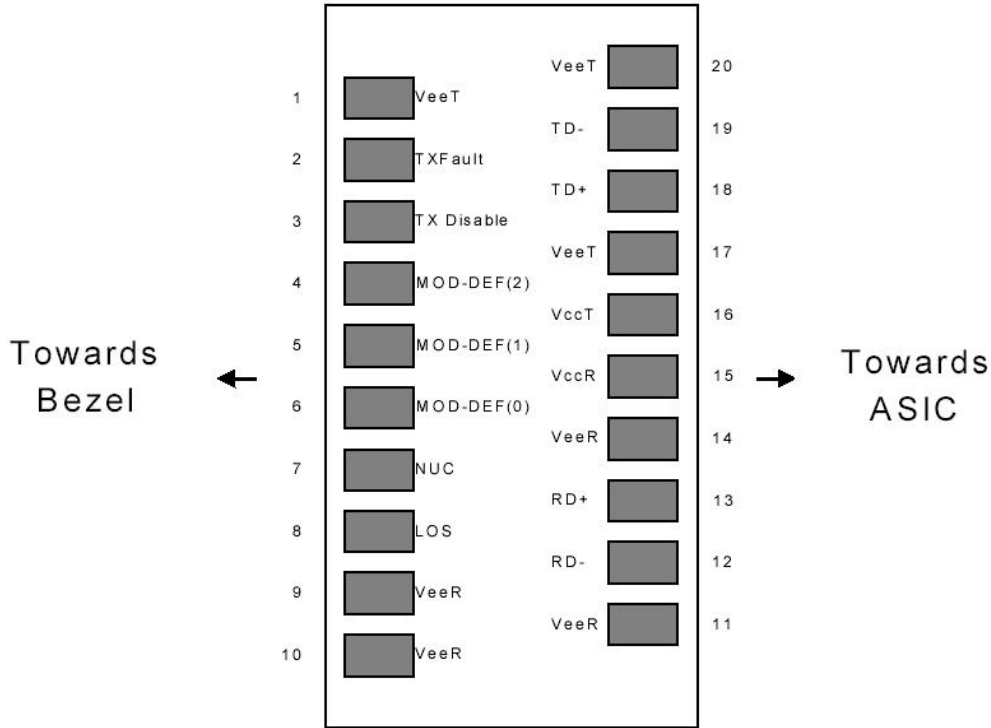


Figure 1. Pin out of Connector Block on Host Board

| Pin | Symbol | Name/Description | Ref. |
|-----|-------------|---|------|
| 1 | V_{EET} | Transmitter Ground (Common with Receiver Ground) | 1 |
| 2 | T_{FAULT} | Transmitter Fault.Open Drain. Logic "0" indicates normal operation. | 2 |
| 3 | T_{DIS} | Transmitter Disable. Laser output disabled on high or open. | 3 |
| 4 | MOD_DEF(2) | Module Definition 2. Data line for Serial ID. | 4 |
| 5 | MOD_DEF(1) | Module Definition 1. Clock line for Serial ID. | 4 |
| 6 | MOD_DEF(0) | Module Definition 0. Grounded within the module. | 4 |
| 7 | Rate Select | No connection required. | |

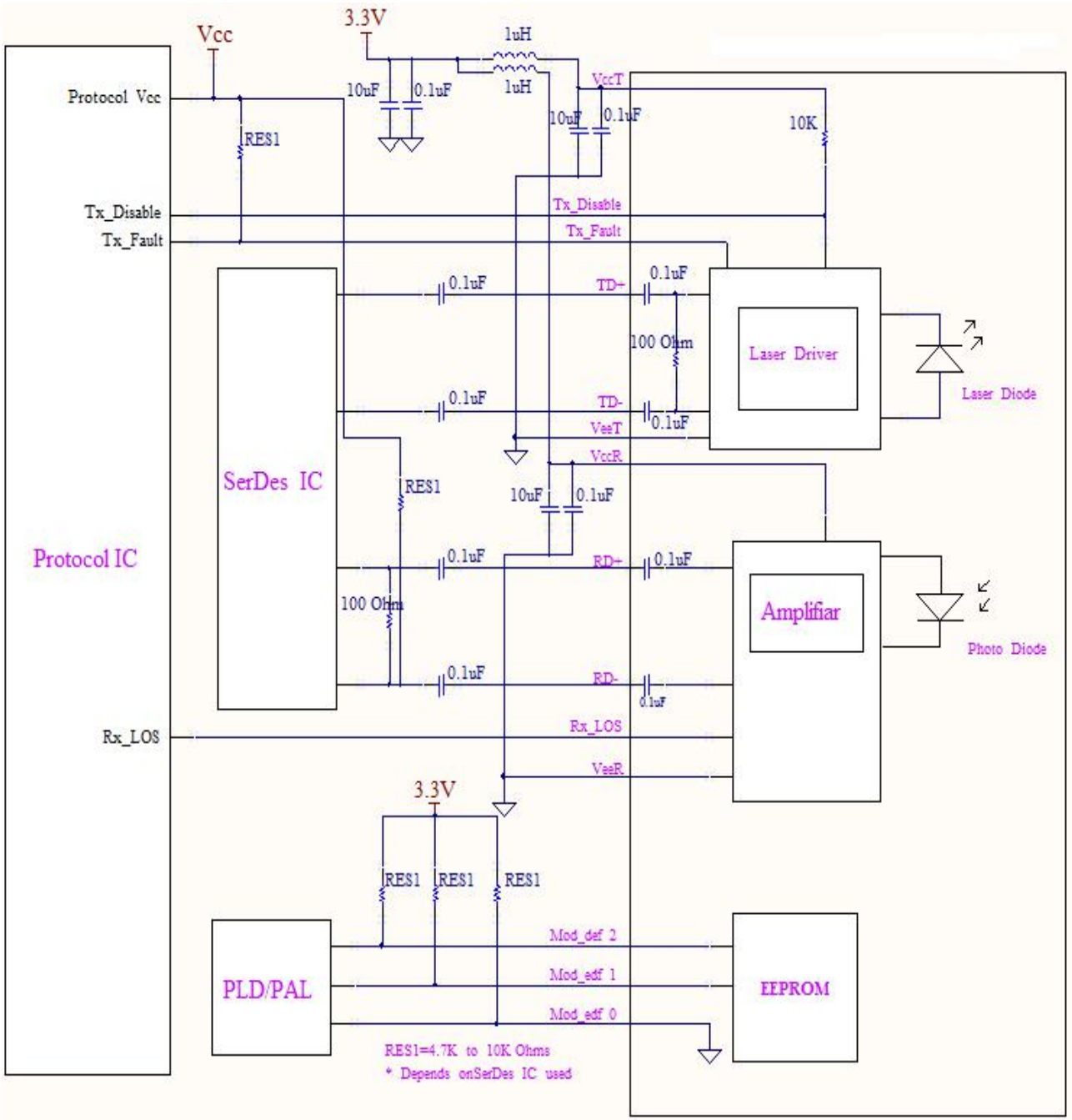
| | | | |
|----|------------------|--|---|
| 8 | LOS | Loss of Signal indication. Open Drain. Logic "0" indicates normal operation. | 5 |
| 9 | V _{EER} | Receiver Ground (Common with Transmitter Ground) | 1 |
| 10 | V _{EER} | Receiver Ground (Common with Transmitter Ground) | 1 |
| 11 | V _{EER} | Receiver Ground (Common with Transmitter Ground) | 1 |
| 12 | RD- | Receiver Inverted DATA out(CML). AC Coupled | |
| 13 | RD+ | Receiver Non-inverted DATA out(CML). AC Coupled | |
| 14 | V _{EER} | Receiver Ground (Common with Transmitter Ground) | 1 |
| 15 | V _{CCR} | Receiver Power Supply | |
| 16 | V _{CCT} | Transmitter Power Supply | |
| 17 | V _{EET} | Transmitter Ground (Common with Receiver Ground) | 1 |
| 18 | TD+ | Transmitter Non-Inverted DATA in. AC Coupled. | |
| 19 | TD- | Transmitter Inverted DATA in. AC Coupled. | |
| 20 | V _{EET} | Transmitter Ground (Common with Receiver Ground) | 1 |

Notes:

1. Circuit ground is internally isolated from chassis ground.
2. TX Fault is an open drain output, which should be pulled up with 4.7K – 10KΩ resistor on the host board. Pull up voltage between 2.0V to V_{CCT}/R+0.3V. When high, output indicates < 0.8V. When sensing an improper power level in the laser driver, the SFP sets this signal high and turns off the laser. TX-FAULT can be reset with the TX-DISABLE line. The signal is in LVTTTL level.

3. TX disable is an input that is used to shut down the transmitter optical output. It is pulled up within the module with 4.7K – 10K Ω resistor. Its states are: Low (0 – 0.8V): Transmitter on; (>0.8, < 2.0V): Undefined; High (2.0V to $V_{ccT}/R+0.3V$): Transmitter Disabled; Open: Transmitter Disabled. The TX-DISABLE signal is high (LVTTTL logic "1") to turn off the laser output. The laser will turn on when TX-DISABLE is low (LVTTTL logic "0").
4. Should be pulled up with 4.7K - 10K Ω on host board to a voltage between 2.0V to $V_{ccT}/R+0.3V$. MOD_DEF (0) pulls line low to indicate module is plugged in.
5. LOS (Loss of Signal) is an open collector/drain output, which should be pulled up with 4.7K – 10K Ω resistor. Pull up voltage between 2.0V to $V_{ccT}/R+0.3V$. When high, this output indicates the received optical power is below the worst-case receiver sensitivity (as defined by the standard in use). Low indicates normal operation. In the low state, the output will be pulled to < 0.8V. The RX-LOS is high (LVTTTL logic "1") when there is no incoming light from the companion transceiver. This signal is normally used by the system for the diagnostic purpose. The signal is operated in LVTTTL level.

VIII. Recommend Circuit Schematic



IX. Mechanical Specifications

