

# 100BASE-LX SFP 1310nm 15km DOM LC SMF Transceiver

E1MG-100FX-10-LL



## Applications

- 25GBASE-LR
- CPRI Option 10/e CPRI
- Other Optical Links

## Features

- Up to 155M b/s Data Links
- Hot-Pluggable
- 1310nm FP Laser Transmitter
- Duplex LC Connector
- RoHS Compliant and Lead Free
- Up to 20 km on 9/125 $\mu$ m SMF
- Single +3.3V Power Supply
- Monitoring Interface Compliant with SFF-8472
- Industrial /Extended/ Commercial Operating Temperature Range: -40°C to 85°C/-5°C to 85°C/0°C to 70°C Version Available

## Description

Longline's transceiver is a high performance, cost effective module which has a Duplex LC optics interface. Standard AC coupled CML is used for high speed signal and LVTTTL control and monitor signals. The receiver section uses a PIN receiver and the transmitter uses 1310 nm FP laser.

## Product Specifications

### I. Absolute Maximum Ratings

Parameter	Symbol	Min.	Typical	Max.	Unit
<b>Storage Temperature</b>	$T_s$	-40		+85	°C
<b>Supply Voltage</b>	$V_{CC,T,R}$	-0.5		4	V
<b>Relative Humidity</b>	RH	0		85	%
<b>Case Operating Temperature</b>	<b>Industrial</b>	-40		85	°C
	<b>Extended</b>	-5		85	
	<b>Commercial</b>	0		70	

## II. Recommended Operating Conditions

Parameter		Symbol	Min.	Typical	Max.	Unit
Case Operating Temperature	Industrial	$T_C$	-40		85	°C
	Extended		-5		85	°C
	Commercial		0	V	70	°C
Supply Voltage		$V_{CC,T,R}$	3.0		3.6	V

## III. Electrical Characteristics (T<sub>c</sub>=-40°C to 85°C and V<sub>cc</sub>= 3.135 to 3.465V)

Parameter	Symbol	Min.	Typical	Max.	Unit	Note
Supply Voltage	$V_{CC}$	3.0	3.30	3.60	V	
Supply Current	$I_{CC}$			300	mA	
Inrush Current	$I_{surge}$			$I_{CC}+30$	mA	
Maximum Power	$P_{max}$			1.0	W	

### Transmitter Section

Input Differential Impedance	$R_{in}$	90	100	110	W	1
Single Ended Data Input Swing	$V_{inPP}$	200		1200	mVp-p	
Transmit Disable Voltage	$V_D$	$V_{CC}-1.3$		$V_{CC}$	V	2
Transmit Enable Voltage	$V_{EN}$	$V_{ee}$		$V_{ee}+0.8$	V	
Transmit Disable Assert Time	$T_{dessert}$			10	us	

Parameter	Symbol	Min.	Typical	Max.	Unit	Note
<b>Receiver Section</b>						
<b>Single Ended Data Output Swing</b>	$V_{out,pp}$	300		1000	mv	3
<b>Data Output Rise Time</b>	$t_r$			1300	ps	4
<b>Data Output Fall Time</b>	$t_f$			1300	ps	4
<b>LOS Fault</b>	$V_{losfault}$	$V_{CC}-0.5$		$V_{CC\_host}$	V	5
<b>LOS Normal</b>	$V_{losnorm}$	$V_{ee}$		$V_{ee}+0.5$	V	5
<b>Power Supply Rejection</b>	PSR	100			mVpp	6

**Note:**

1. AC coupled.
2. Or open circuit.
3. Into 100 ohm differential termination.
4. 20 – 80 %.
5. LOS is LVTTTL. Logic 0 indicates normal operation; logic 1 indicates no signal detected.
6. All transceiver specifications are compliant with a power supply sinusoidal modulation of 20 Hz to 1.5MHz up to specified value applied through the power supply filtering network shown on page 23 of the Small Form-factor Pluggable (SFP) Transceiver Multi-Source Agreement (MSA), September 14, 2000.

**IV. Optical Parameters** ( $T_{OP} = 0$  to  $70$  °C,  $V_{CC} = 3.00$  to  $3.60$  Volts)

Parameter	Symbol	Min.	Typical	Max.	Unit	Note
-----------	--------	------	---------	------	------	------

**Transmitter Section**

<b>Center Wavelength</b>	m	1270	1310	1360	nm	1
<b>Spectral Width</b>	$\sigma$			3	nm	
<b>Optical Output Power</b>	P <sub>out</sub>	-15		-8	dBm	2
<b>Optical Rise/Fall Time</b>	t <sub>r</sub> /t <sub>f</sub>			1300	ps	3
<b>Extinction Ratio</b>	ER	9.2			dB	

**Eye Mask for Optical Output**

Compliant with Eye Mask Defined in IEEE 802.3 Standard

**Receiver Section**

<b>Optical Input Wavelength</b>	l	1100		1670	nm	
<b>Optical Input Power</b>	P <sub>in</sub>	-36		-3	dBm	4.5
<b>Receiver Reflectance</b>		12			dB	
<b>Receiver Overload</b>	P <sub>ol</sub>			-3	dBm	4.5
<b>RX Sensitivity</b>	Sen			-36	dBm	4.5
<b>RX_LOS Assert</b>	LOS <sub>A</sub>	-45			dBm	
<b>RX_LOS Deassert</b>	LOS <sub>D</sub>			-38	dBm	
<b>RX_LOS Hysteresis</b>	LOS <sub>H</sub>		2	2.5	dB	

Parameter	Symbol	Min.	Typical	Max.	Unit	Note
-----------	--------	------	---------	------	------	------

### General Specifications

<b>Data Rate</b>	BR		155		Mb/s	
<b>Bit Error Rate</b>	BER			10 <sup>-12</sup>		
<b>Max. Supported Link Length on 9/125µm SMF@155Mb/s</b>	L <sub>MAX</sub>		20		Km	6
<b>Total System Budget</b>	LB	21			dB	7

### Note:

1. Also specified to meet curves in FC-PI 13.0 Figures 18 and 19, which allow trade-off between wavelength spectral width.
2. Class 1 Laser Safety per FDA/CDRH and EN (IEC) 60825 regulations.
3. Unfiltered, 20-80%. Complies with IEEE 802.3 (Gig. E), FC 1x and 2x eye masks when filtered.
4. Measured with conformance signals defined in FC-PI 13.0 specifications.
5. Measured with PRBS 2<sup>31</sup>-1 at 10<sup>-12</sup> BER.
6. Dispersion limited per FC-PI Rev. 13.
7. Attenuation of 0.45 dB/km is used for the link length calculations. Distances are indicative only. Please refer to the Optical Specifications in Table IV to calculate a more accurate link budget based on specific conditions in your application.

## V. Digital Diagnostic Monitor Characteristics

The following digital diagnostic characteristics are defined over the Recommended Operating Environment unless otherwise specified. It is compliant to SFF8472 Rev10.2 with internal calibration mode. For external calibration mode please contact our sales staff.

Parameter	Symbol	Min.	Max.	Unit
<b>Temperature Monitor Absolute Error</b>	DMI_Temp	-3	3	degC
<b>Laser Power Monitor Absolute Error</b>	DMI_TX	-3	3	dB
<b>RX Power Monitor Absolute Error</b>	DMI_RX	-3	3	dB
<b>Supply Voltage Monitor Absolute Error</b>	DMI_VCC	-0.1	0.1	V
<b>Bias Current Monitor</b>	DMI_Ibias	-10%	10%	mA

## Block Diagram of Transceiver

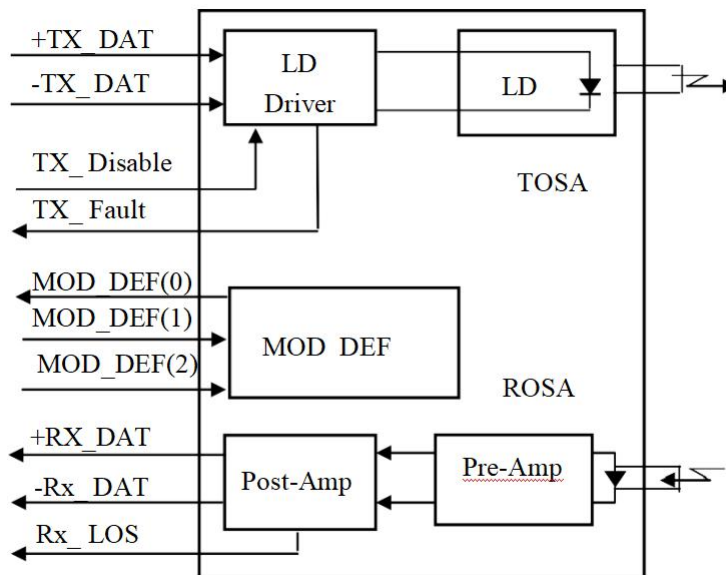


Figure 1 Transceiver Functional Diagram

## VI. Pin Assignment

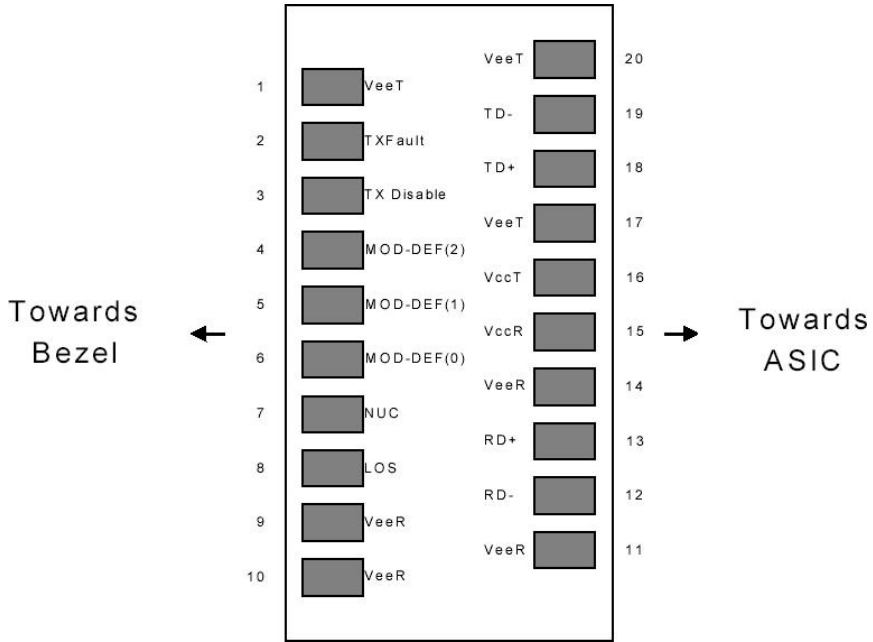


Figure 2 Typical Application Schematics



## VII. Transceiver Pin Descriptions

Pin Number	Name	Function	Plug Seq	Notes
1	V <sub>ee</sub> T	Transmitter Ground	1	1
2	TX Fault	Transmitter Fault Indication	3	
3	TX Disable	Transmitter Disable	3	2
4	MOD-DEF2	Module Definition	2	3
5	MOD-DEF1	Module Definition 1	3	3
6	MOD-DEF0	Module Definition 0	3	3
7	Rate Select	Not Connected	3	4
8	LOS	Loss of Signal	3	5
9	V <sub>ee</sub> R	Receiver Ground	1	1
10	V <sub>ee</sub> R	Receiver Ground	1	1
11	V <sub>ee</sub> R	Receiver Ground		1
12	RD-	Inv. Received DataOut	3	6
13	RD+	Received Data Out	3	6
14	V <sub>ee</sub> R	Receiver Ground	3	1
15	V <sub>cc</sub> R	Receiver Power	2	1

Pin Number	Name	Function	Plug Seq	Notes
16	V <sub>CC</sub> T	Transmitter Power	2	
17	V <sub>ee</sub> T	Transmitter Ground	1	
18	TD+	Transmit DataIn	3	6
19	TD-	Inv. Transmit In	3	6
20	V <sub>ee</sub> T	Transmitter Ground	1	

**Note:**

1. Circuit ground is internally isolated from chassis ground.
2. Laser output disabled on TDIS >2.0V or open, enabled on TDIS <0.8V.
3. Should be pulled up with 4.7k - 10 kohms on host board to a voltage between 2.0V and 3.6V.MOD\_DEF(0) pulls line low to indicate module is plugged in.
4. Rate select is not used.
5. LOS is open collector output. Should be pulled up with 4.7k - 10 kohms on host board to a voltage between 2.0V and 3.6V. Logic 0 indicates normal operation; logic 1 indicates loss of signal.
6. AC Coupled.

**VIII. Recommended Circuit**

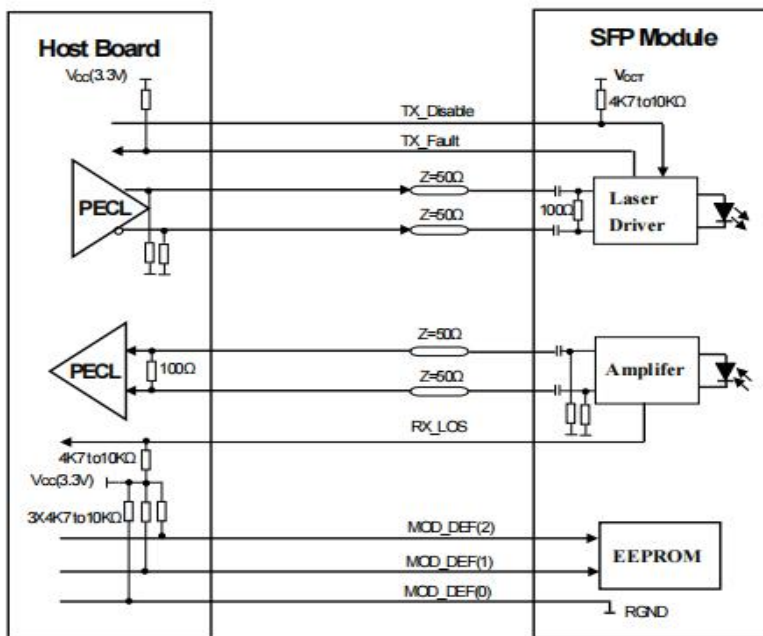


Figure 3 SFP Host Recommended Circuit

## IX. Serial ID Memory Contents(A0h)

Data Address	Length(Byte)	Name of Length	Description and Contents
<b>Base ID Fields</b>			
0	1	Identifier	Type of Serial transceiver(03h=SFP)
1	1	Reserved	Extended identifier of typeserial transceiver(04h)
2	1	Connector	Code of optical connect or type(07=LC)
3-10	8	Transceiver	SONET
11	1	Encoding	SONET Scrambled
12	1	BR,Nominal	Nominal baud rate,unit of 100Mbps
13	1	Reserved	(0000h)
14	1	Length(9um,km)	Link length supported for 9/125um fiber,units of km
15	1	Length(9um)	Link length supported for 9/125um fiber,units of 100m
16	1	Length(50um)	Link length supported for 50/125um fiber,units of 10m
17	1	Length(62.5um)	Link length supported for 62.5/125um fiber,units of 10m
18	1	Length(Copper)	Link length supported for copper,units of meters
19	1	Reserved	
20-35	16	Vendor Name	SFP vendor name:
36	1	Reserved	
37-39	3	Vendor OUI	SFP transceiver vendor OUI ID
40-55	16	Vendor PN	Part Number:"OPxxxxx"(ASCII)
56-59	4	Vendor rev	Revision level for part number
60-61	2	Wavelength	Laser wavelength

Data Address	Length(Byte)	Name of Length	Description and Contents
62	1	Reserved	
63	1	CCID	Least significant byte of sum of data in address 0-62
<b>Extended ID Fields</b>			
64-65	2	Option	Indicates which optical SFP signals are implemented(001Ah=LOS, TX_FAULT, TX_DISABLE all supported)
66	1	BR,max	Upper bit rate margin,units of %
67	1	BR,min	Lower bit rate margin,units of %
68-83	16	Vendor SN	Serial number(ASCII)
84-91	8	Date Code	Manufacturing date code
92	1	Diagnostic Type	Diagnostics
93	1	Enhanced Options	Diagnostics
94	1	SFF-8472	Diagnostics
95	1	CCEX	Check code for the extended ID Fields(addresses 64 to 94)
<b>Vendor Specific ID Fields</b>			
96-127	32	Readable	Vendor specific date,read only

## Diagnostics Memory Contents(A2h)

Data Address	Length(Byte)	Name of Length	Description and Contents
<b>Diagnostic and Control/Status Fields</b>			
8.5	40	A/W Thresholds	Diagnostic Flag Alarm and Warning Thresholds
40-55	16	Unallocated	
56-91	16	Ext Cal Constants	Diagnostic calibration constants for optional External Calibration
92-94	3	Unallocated	
95	1	CC_DMI	Check Code for Base Diagnostic Fields(addresses 0 to 94)
96-105	10	Diagnostics	Diagnostic Monitor Data(internally orexternally calibrated)
106-109	4	Unallocated	
110	1	Status/Control	Optional Status and Control Bits
111	1	Reserved	Reserved for SFF-8079
112-113	2	Alarm Flags	Diagnostic Alarm Flag Status Bits
114-115	2	Unallocated	
116-117	2	Warning Flags	Diagnostic Warning Flag Status Bits
118-119	2	Ext Status/Control	Extended module control and status bytes
<b>General Use Fields</b>			
120-127	8	Vendor Specific	Vendor specific memory addresses
128-247	120	User EEPROM	User writable non-volatile memory
248-255	8	Vendor Control	Vendor specific control addresses

### I. Mechanical Dimensions:

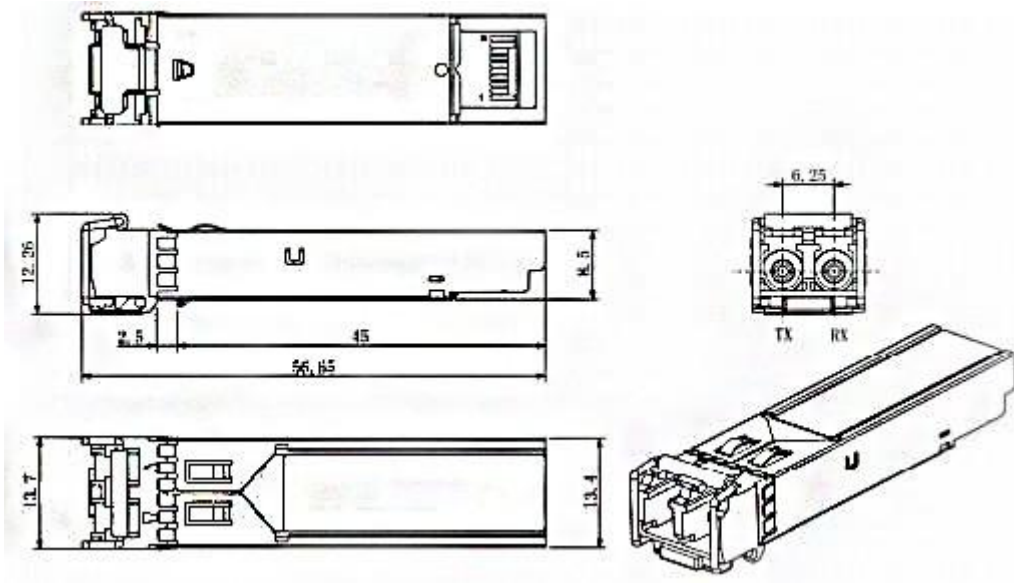


Figure 4 Mechanical Drawing